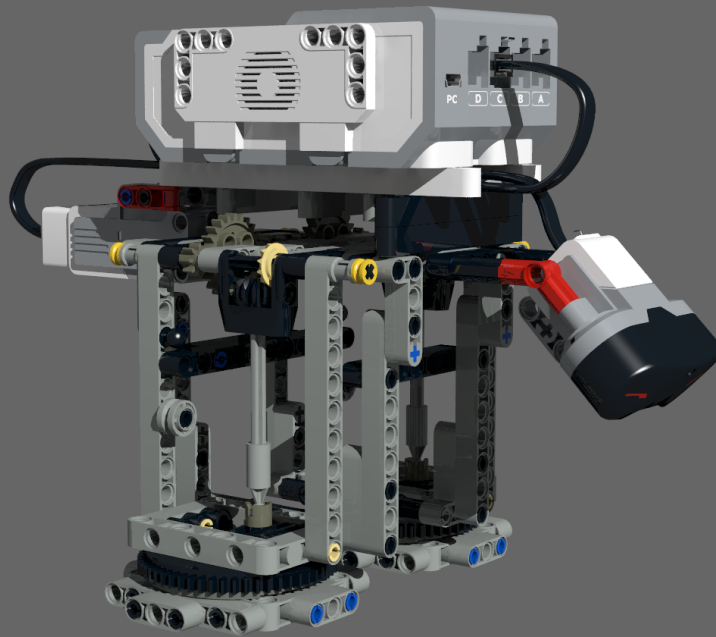


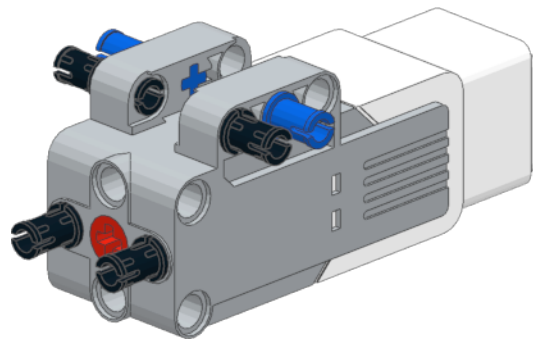
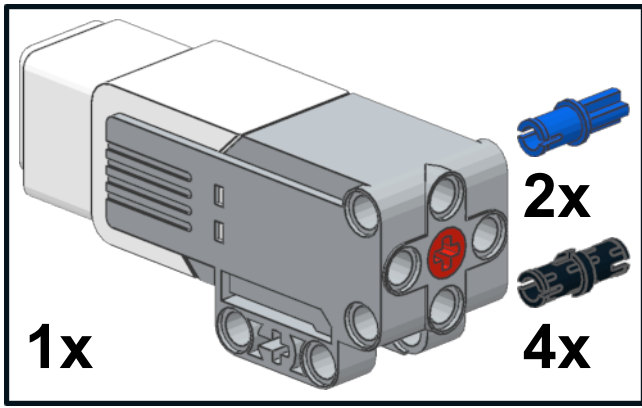
I'M POSSIBLE TOO

Revised autonomous biped walker
using just one medium motor
by Stu Nicholls

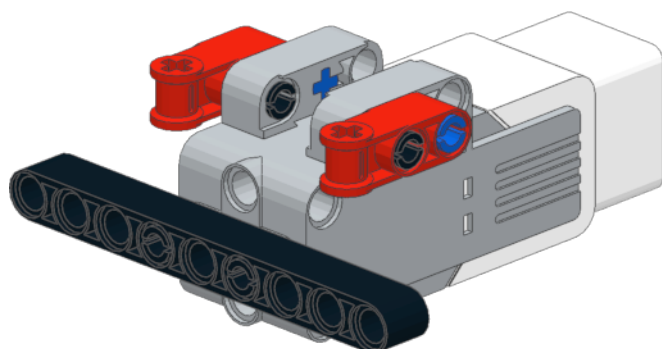
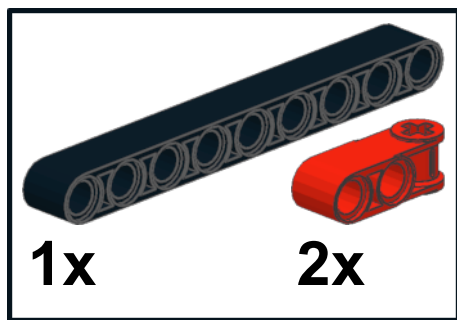
<http://www.stunicholls.com>



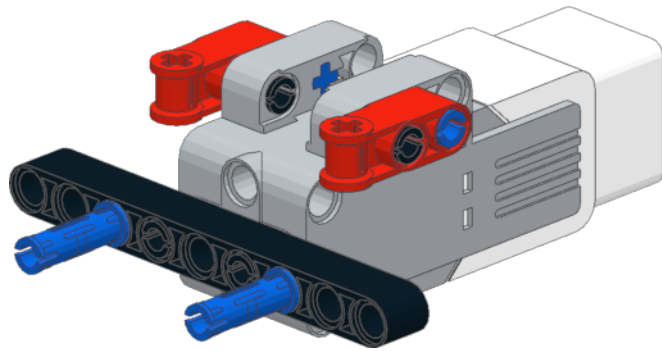
1



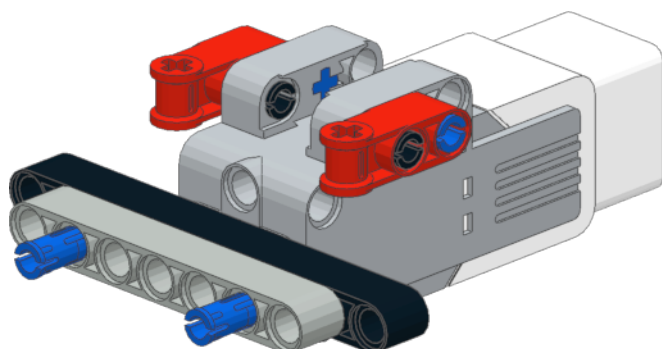
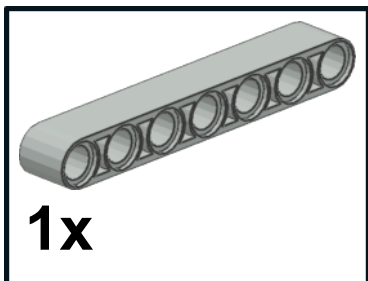
2



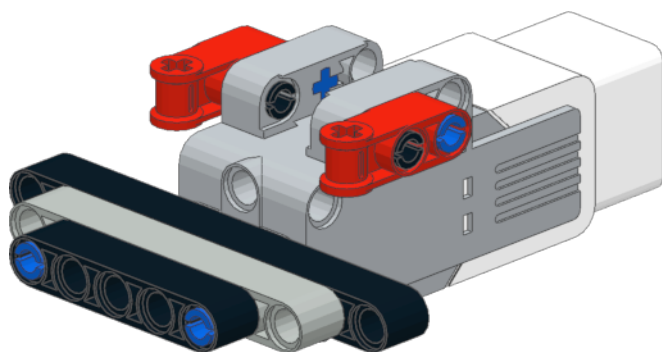
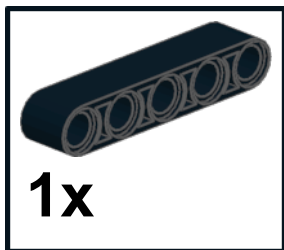
3
2x



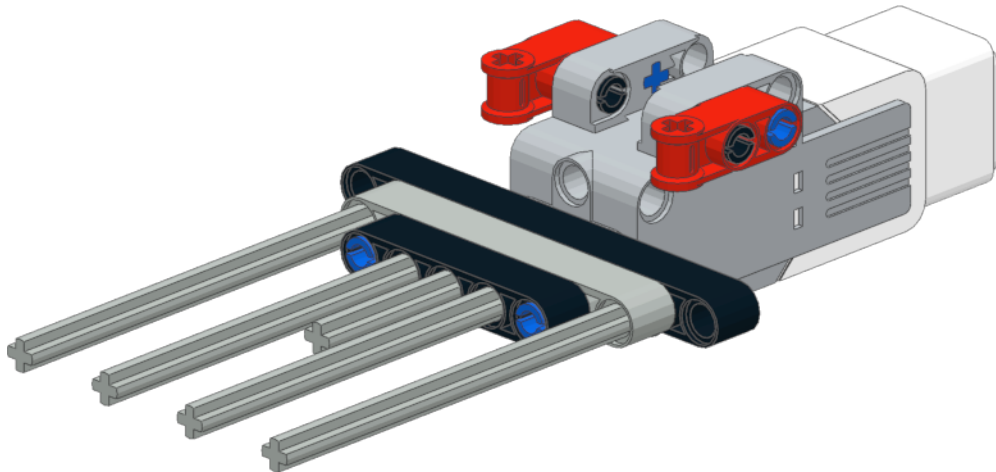
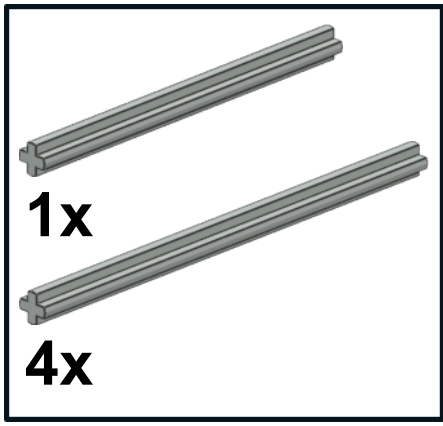
4



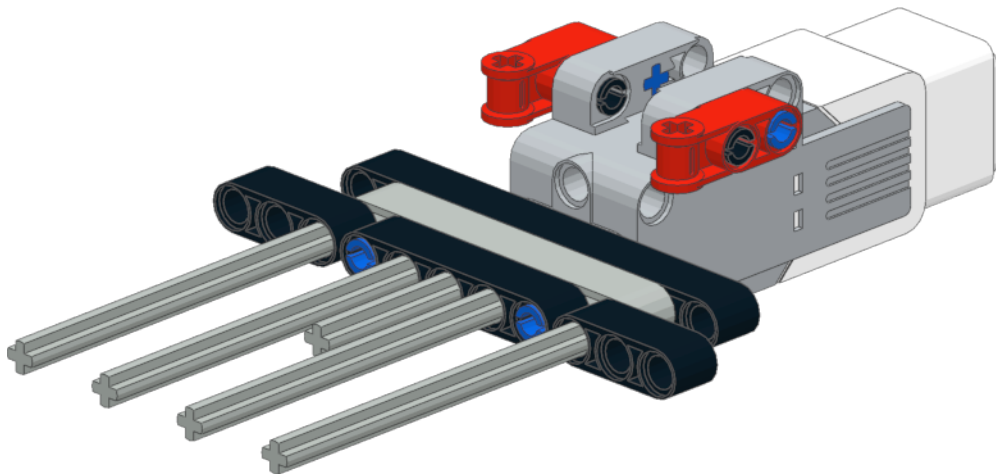
5



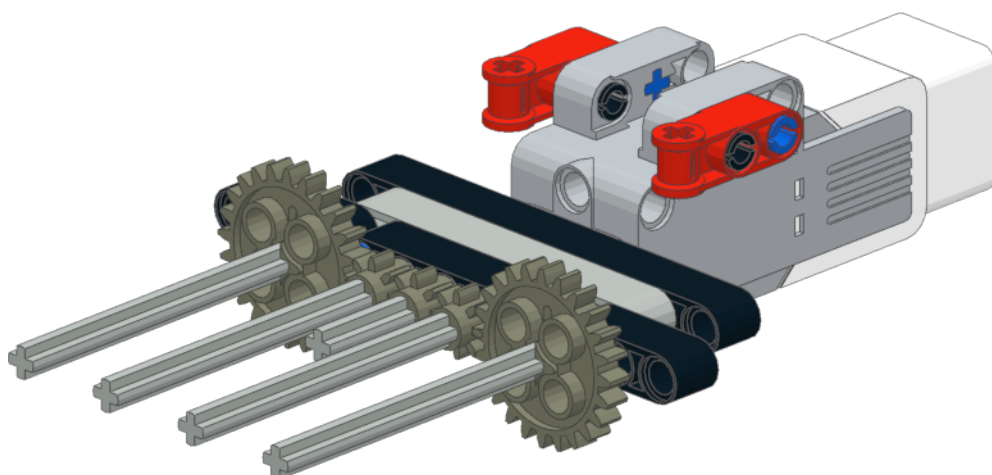
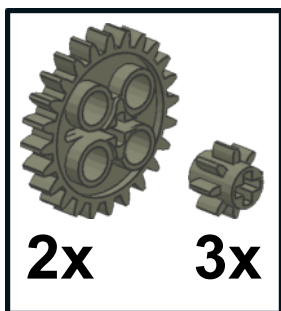
6



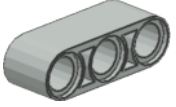
7
2x



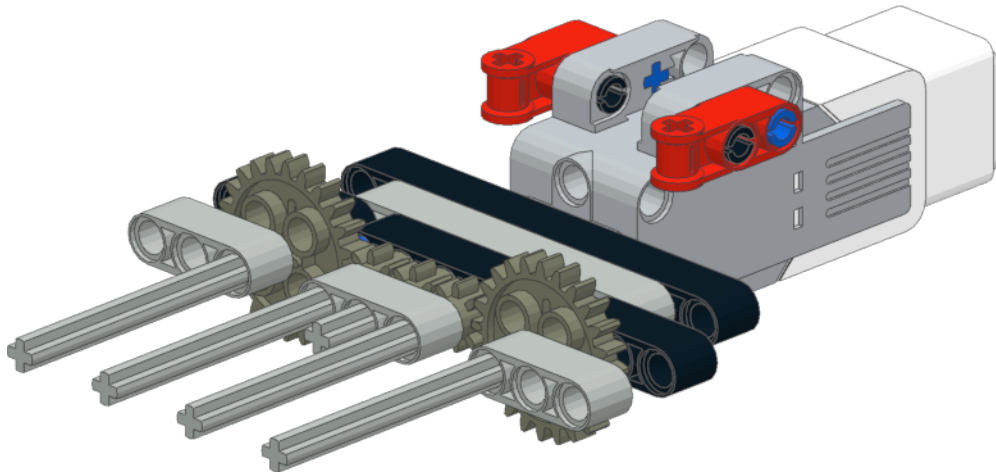
8



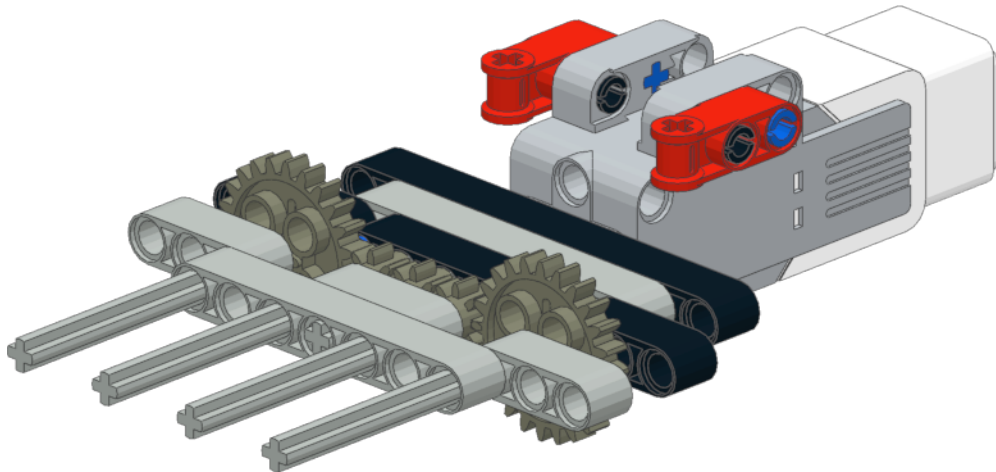
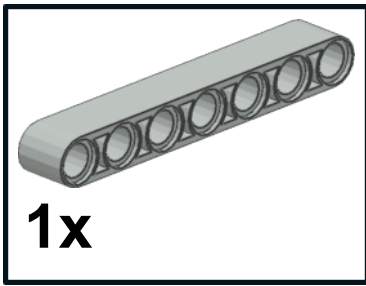
9



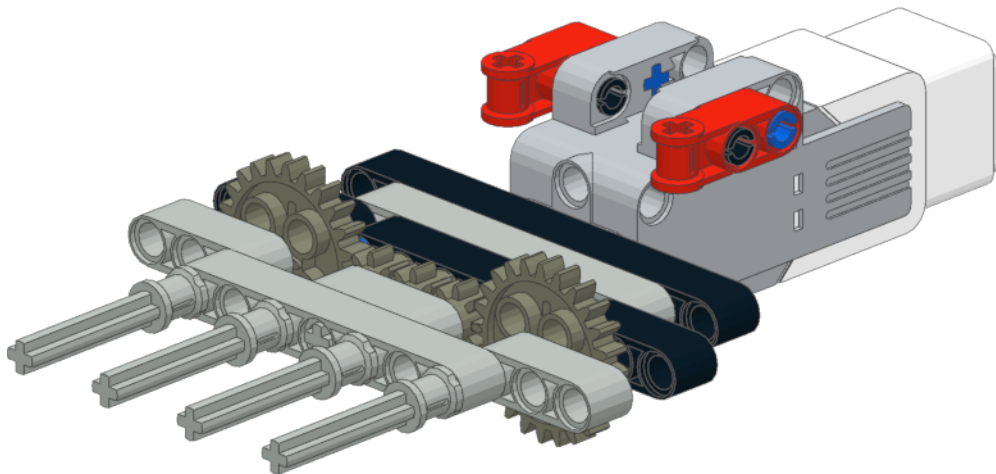
3x



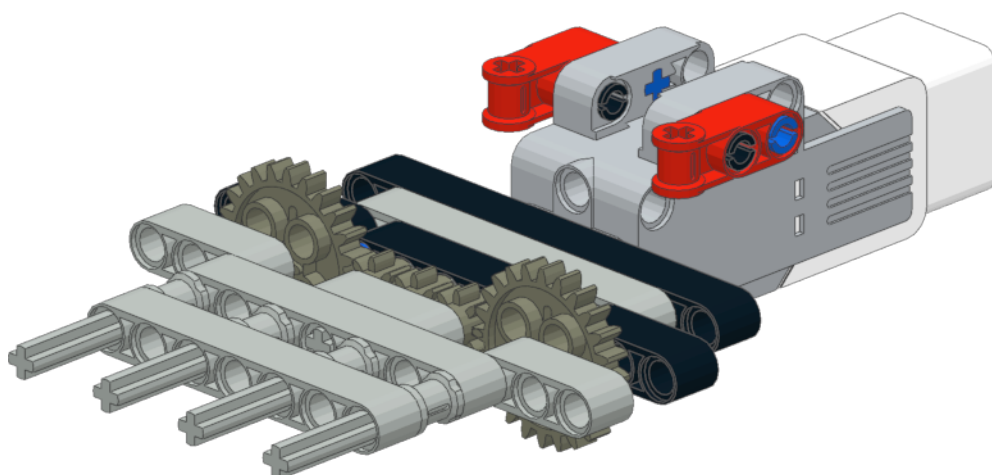
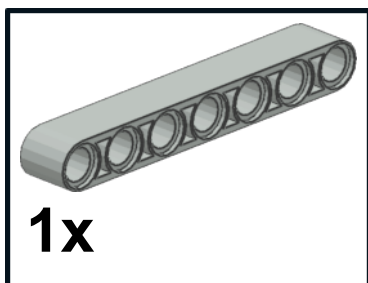
10



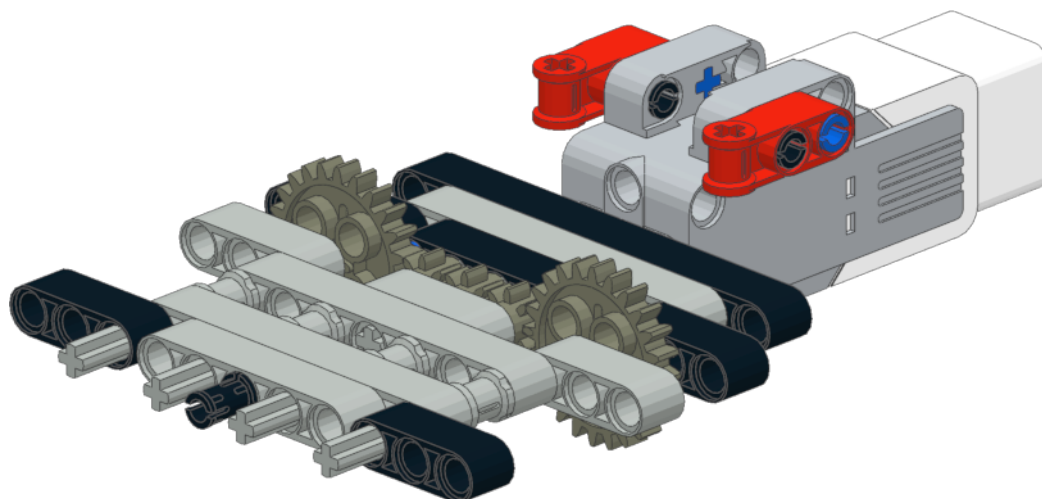
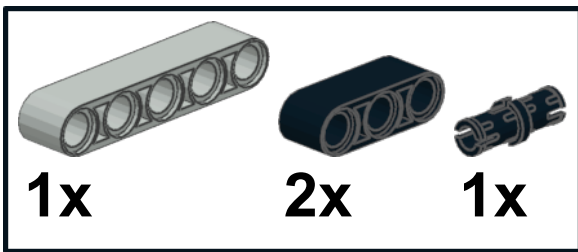
11



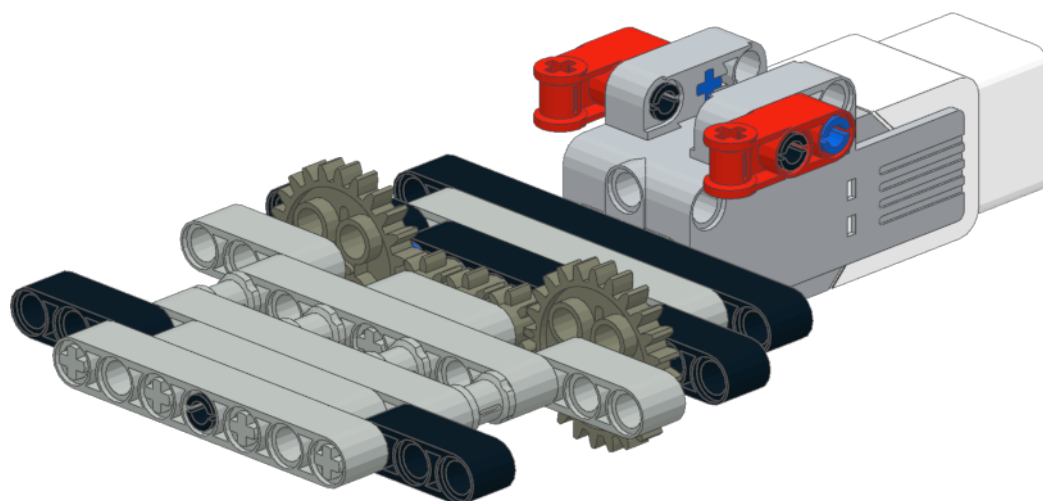
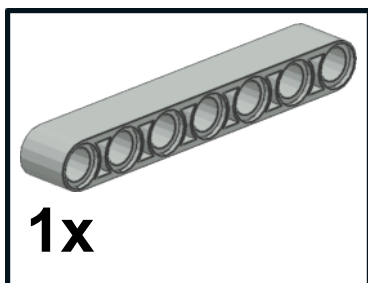
12




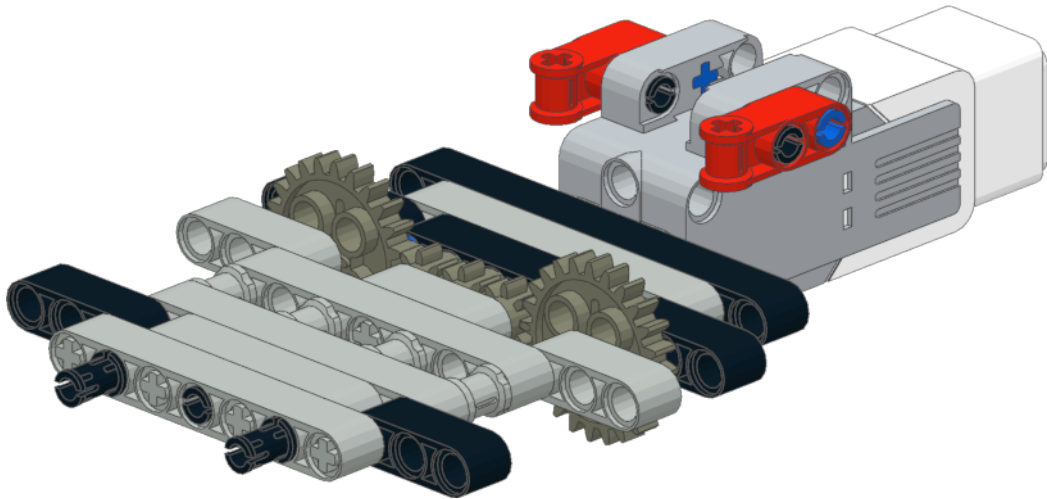
13



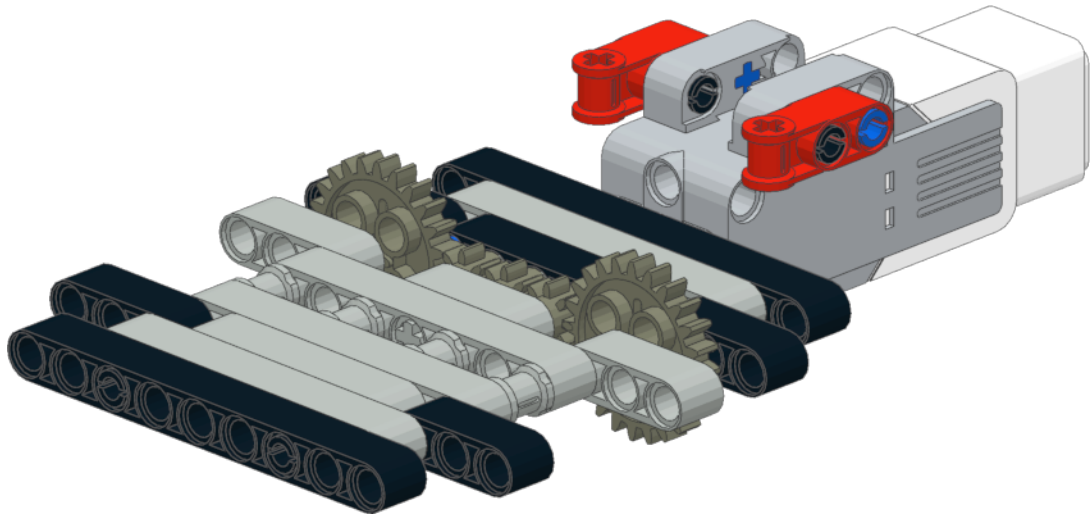
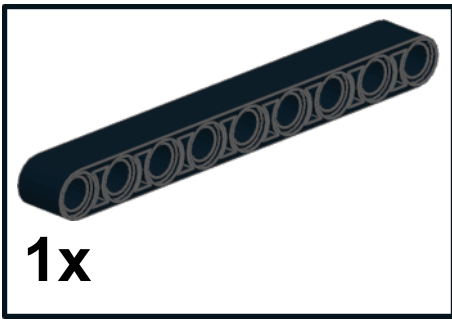
14



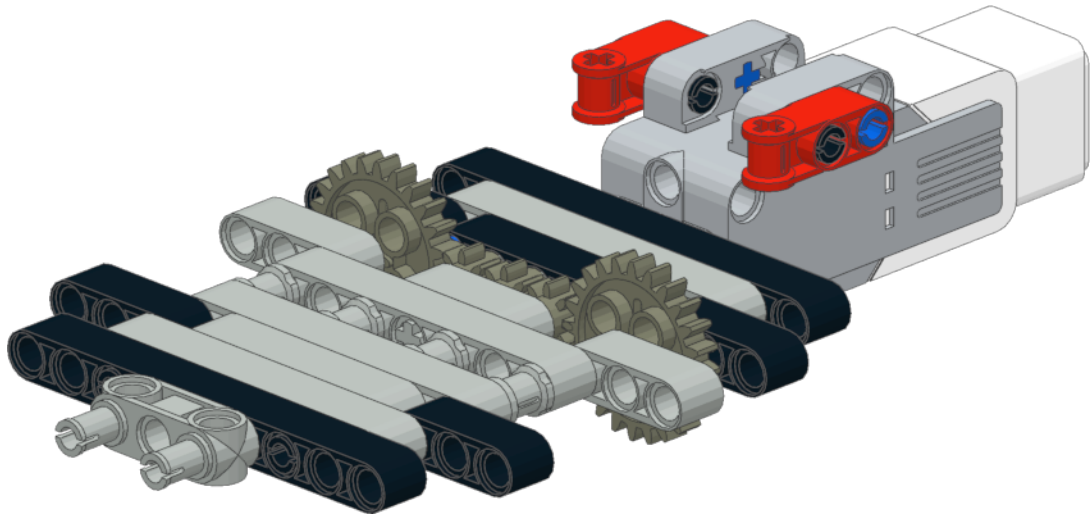
15 
2x



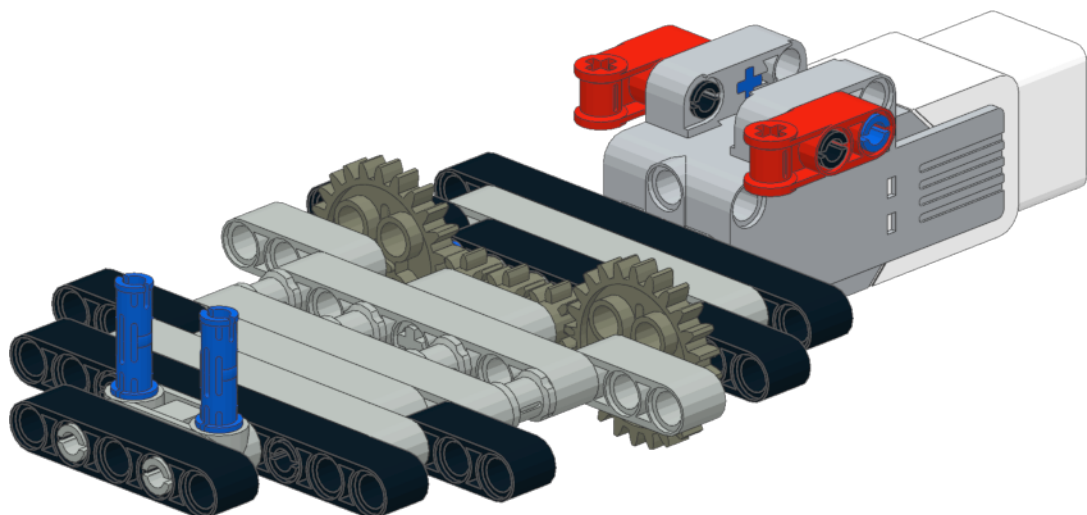
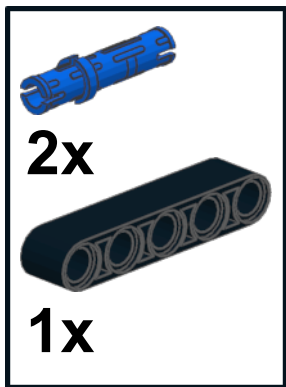
16



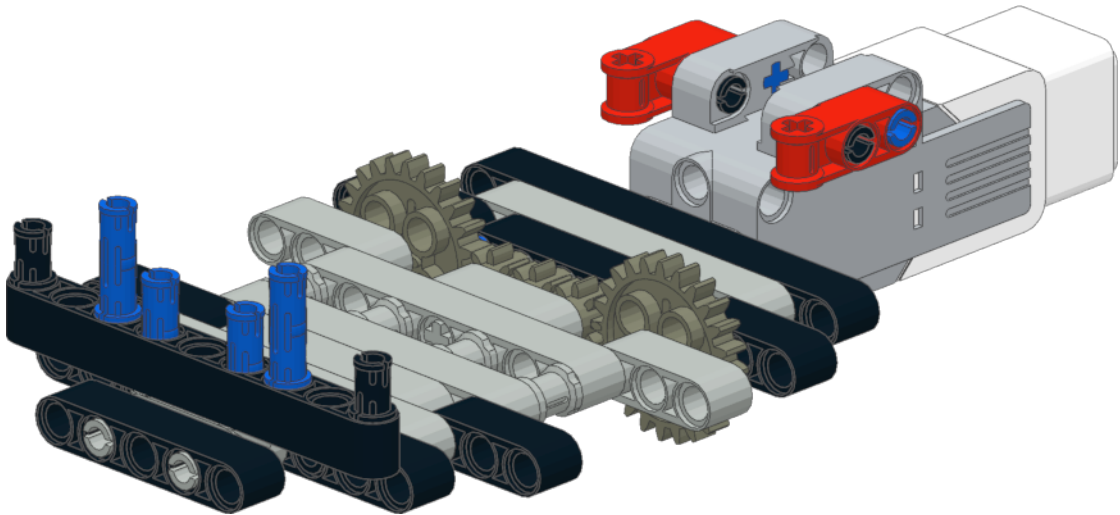
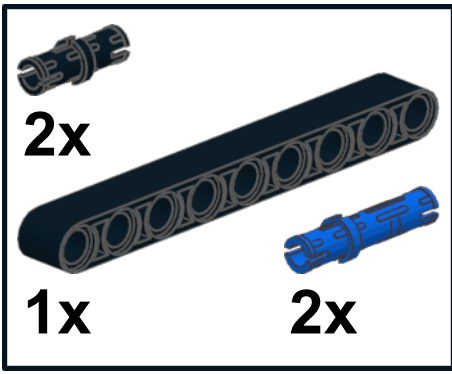
17



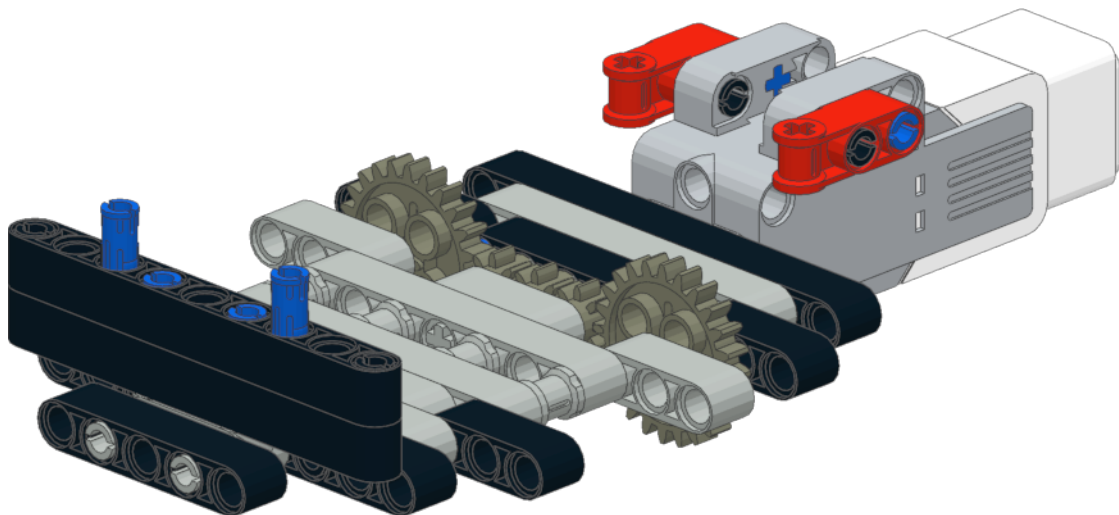
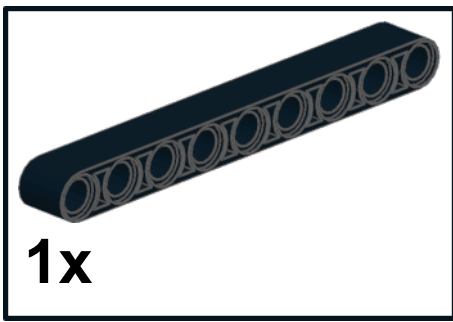
18



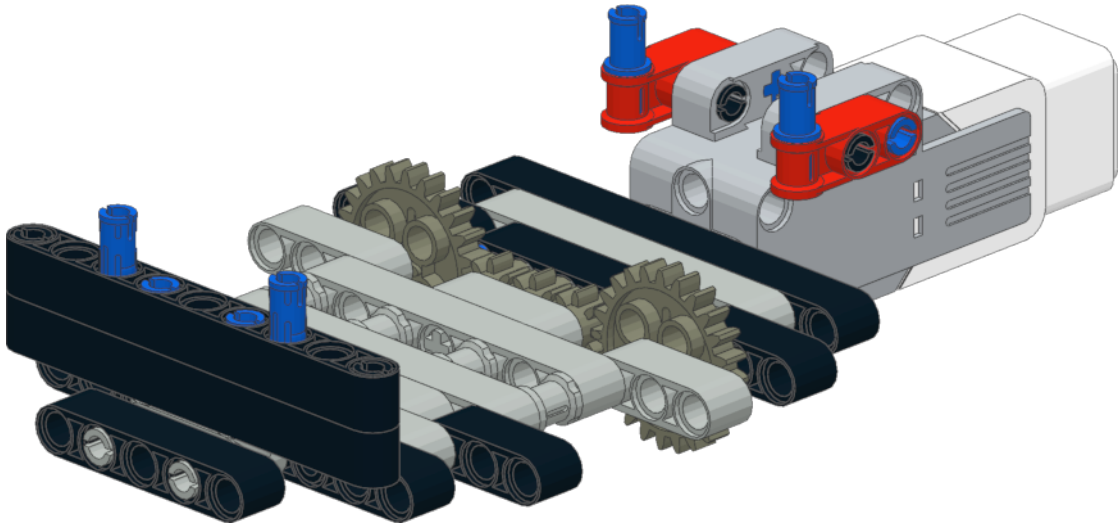
19



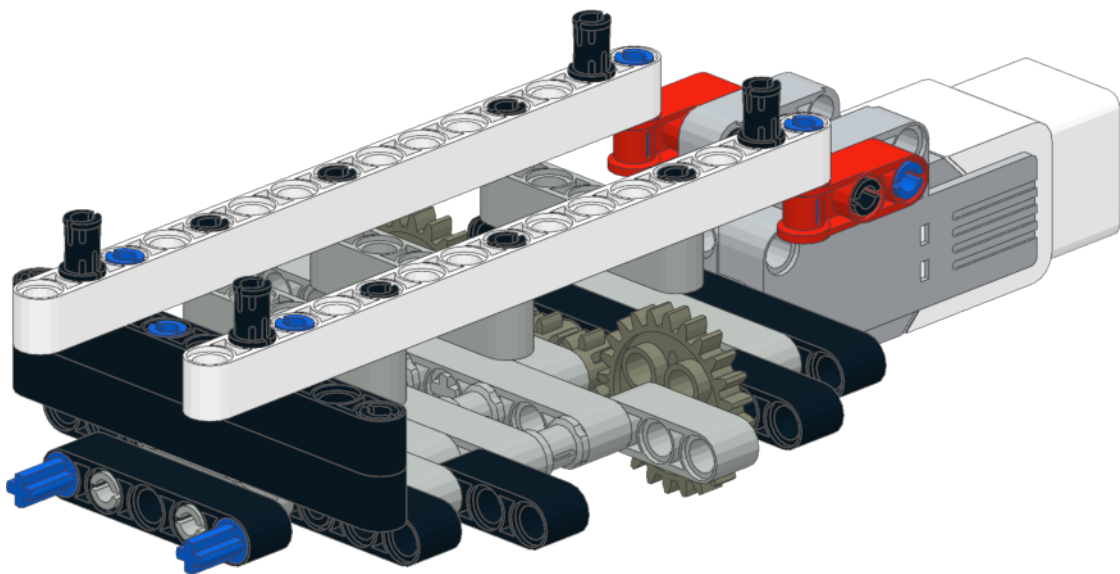
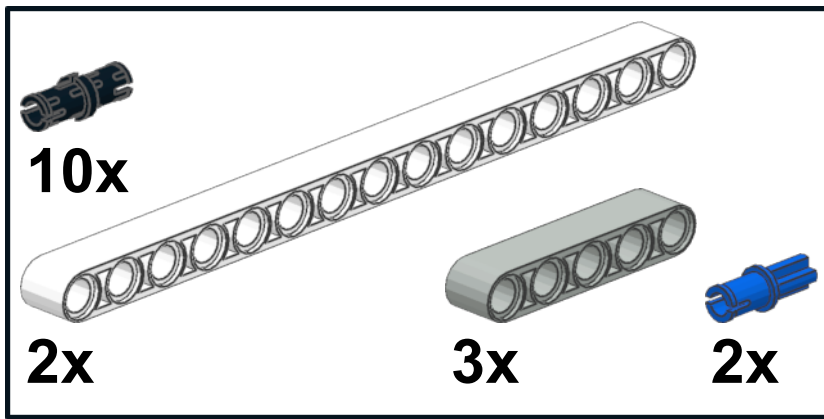
20



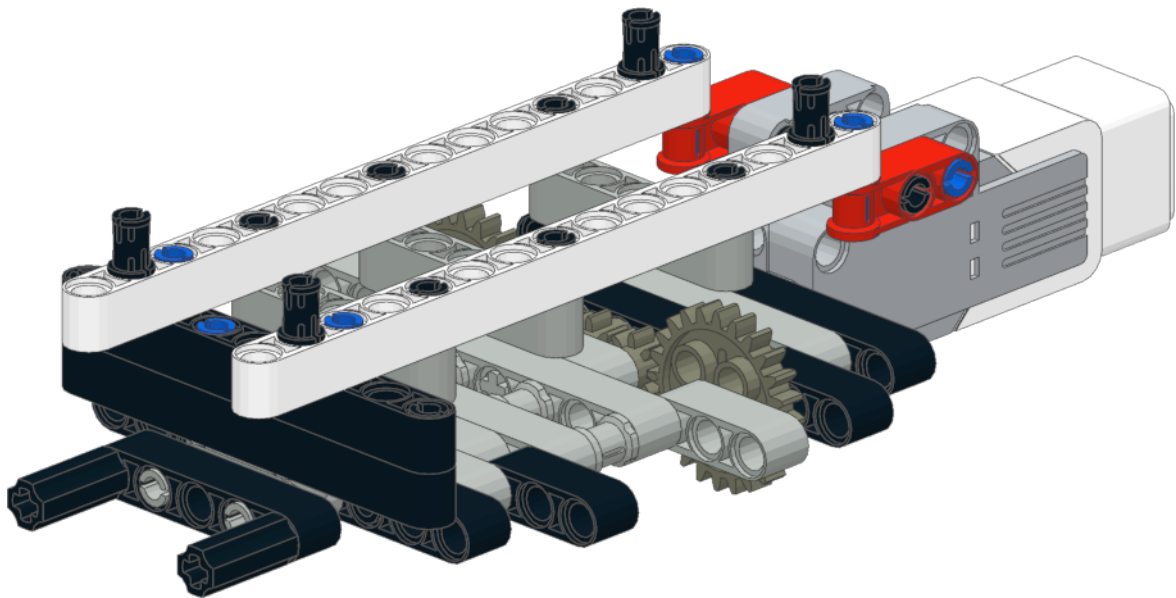
21

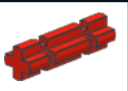


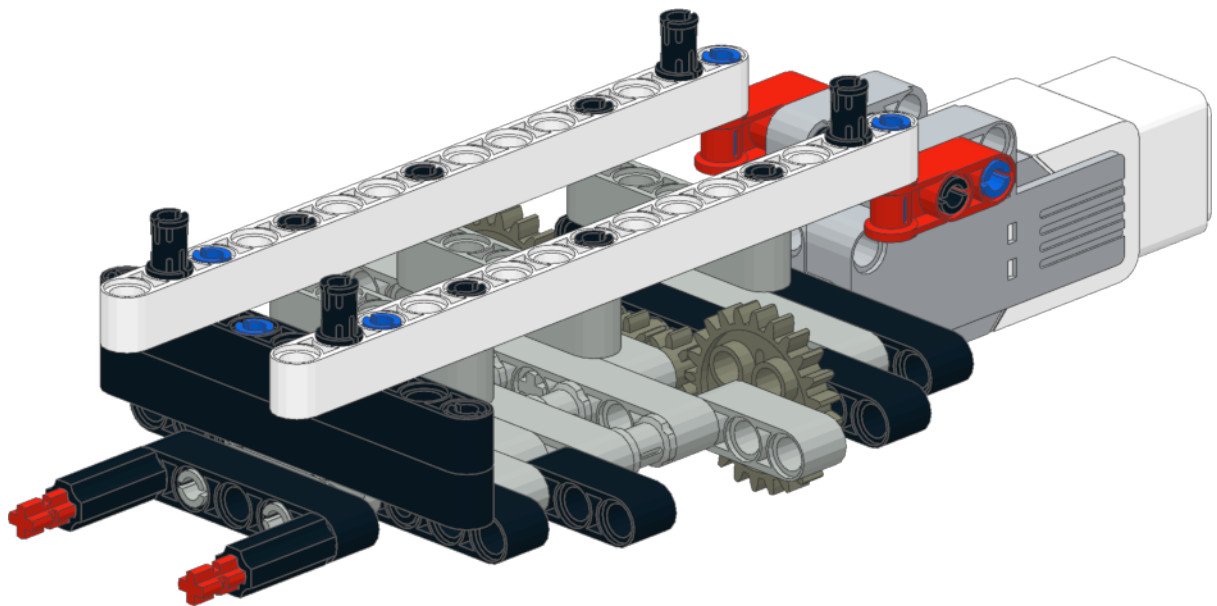
22



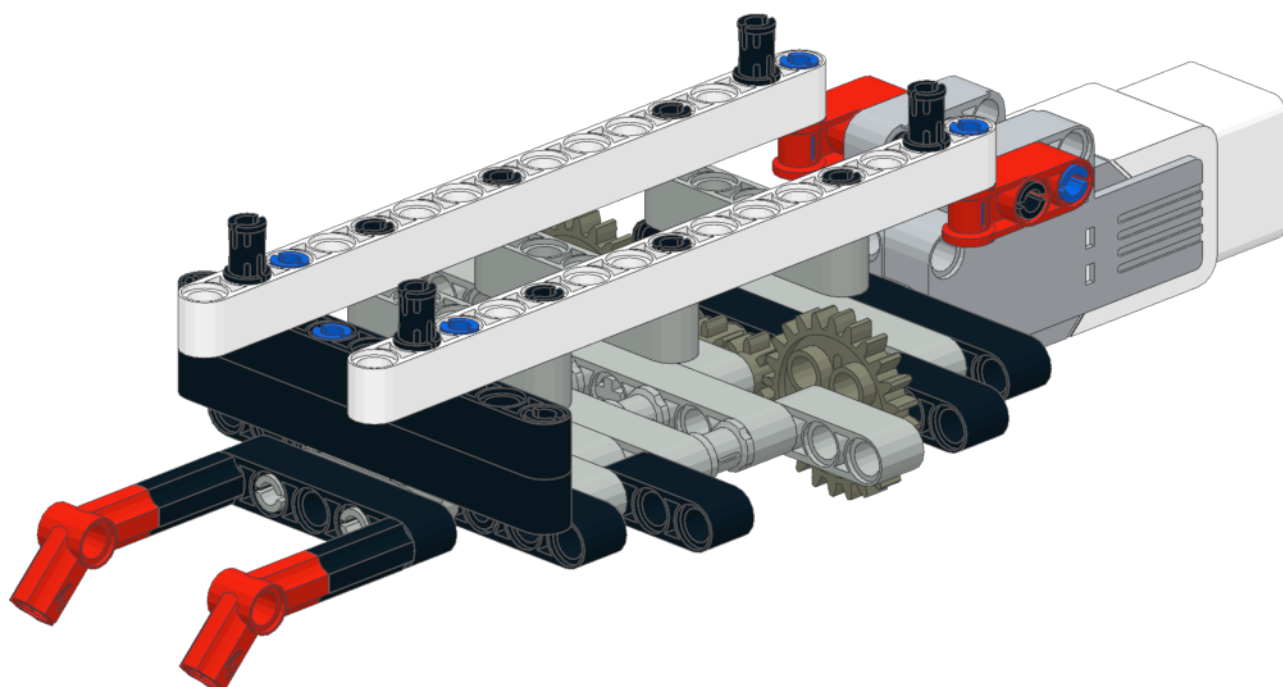
23

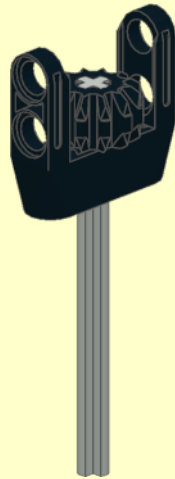
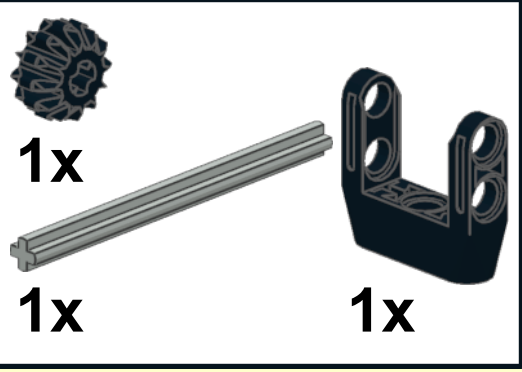


24 
2x



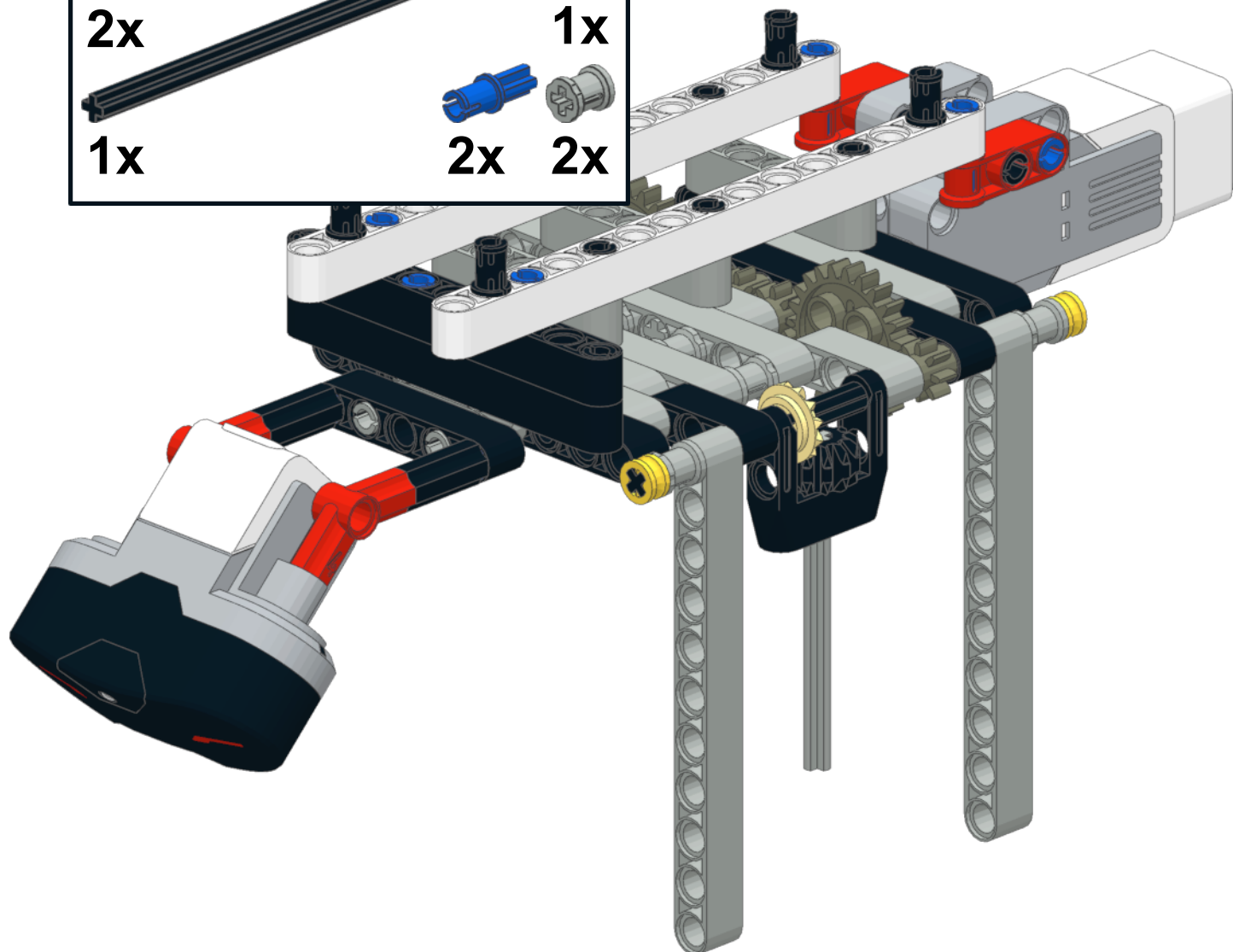
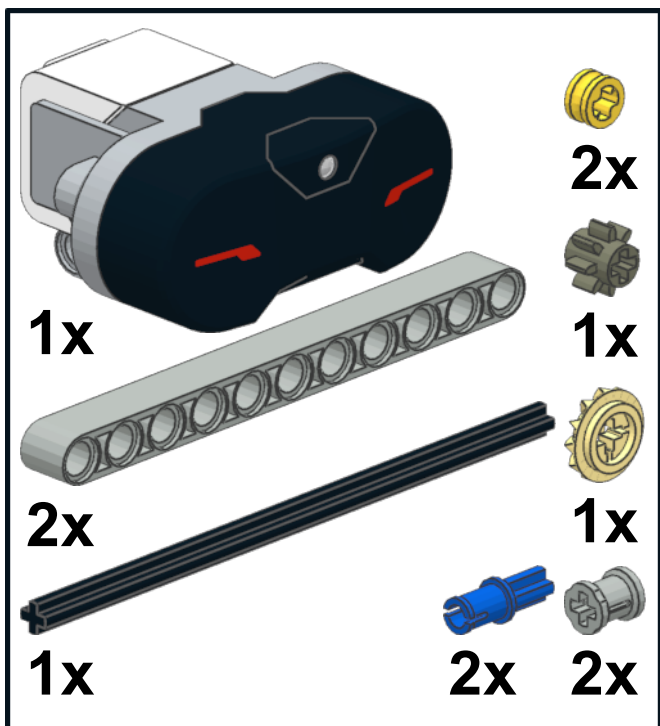
25



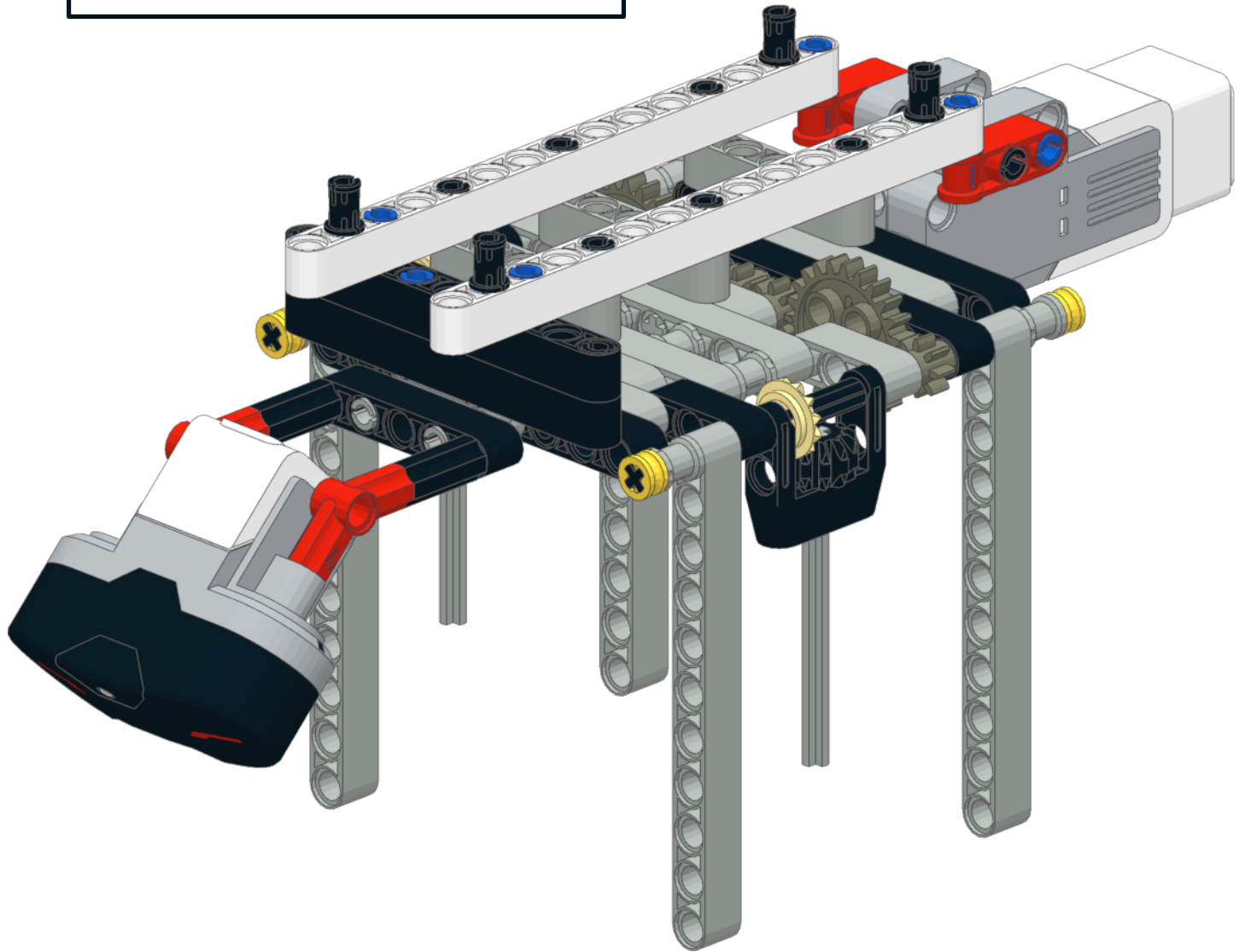
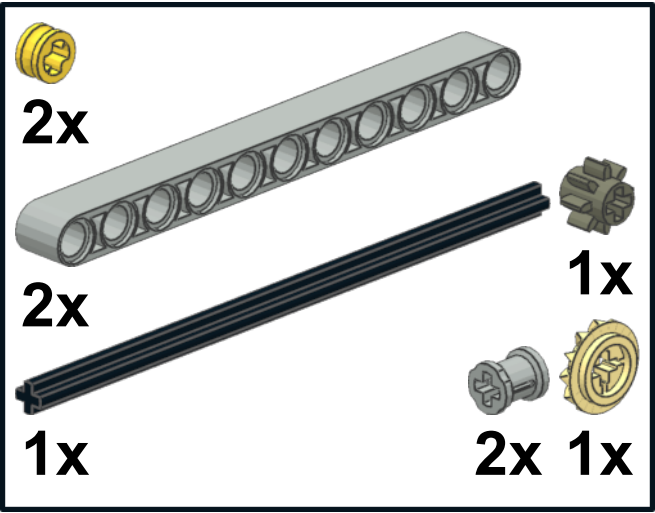


x2

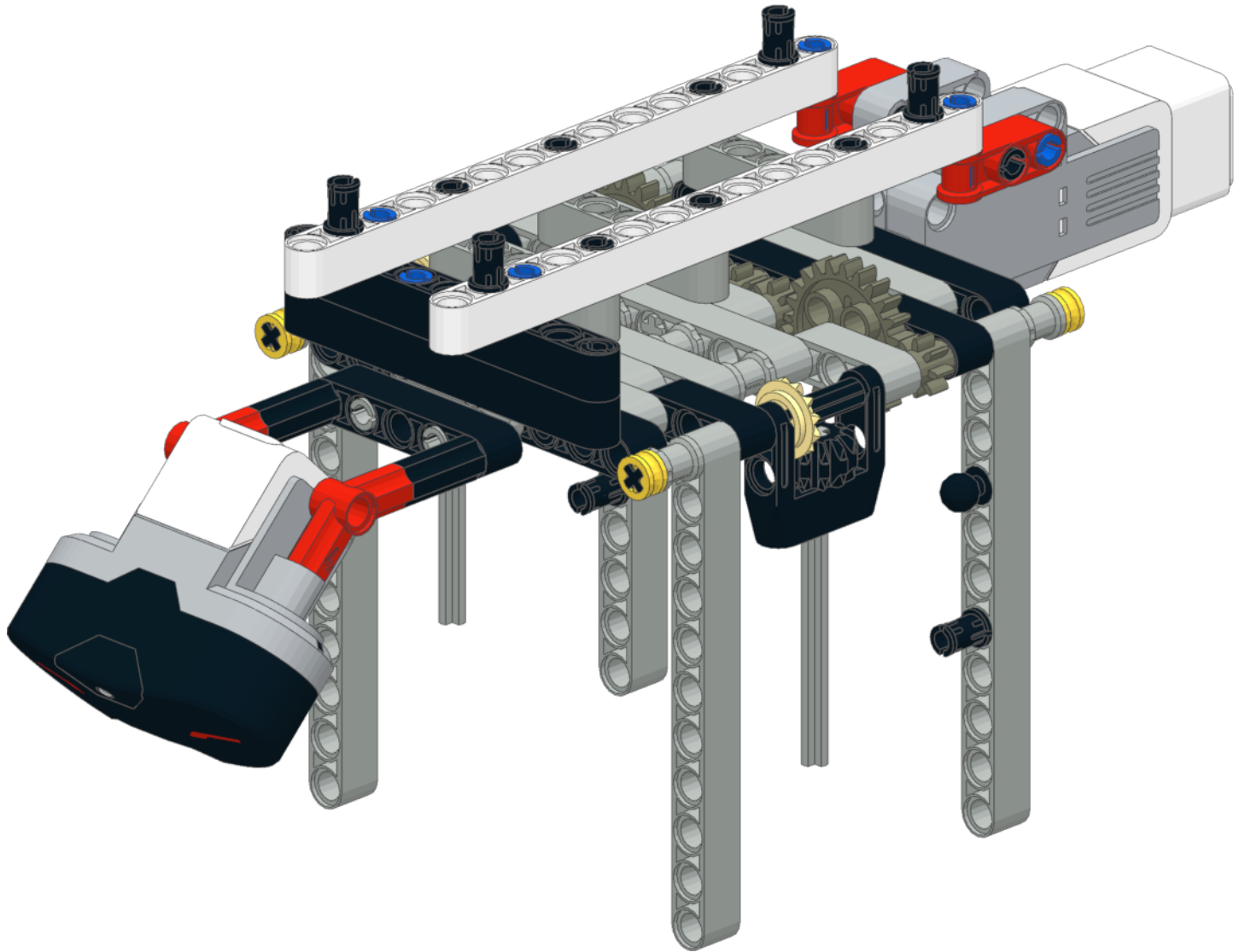
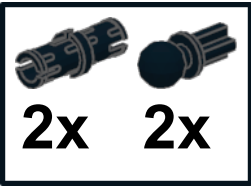
26



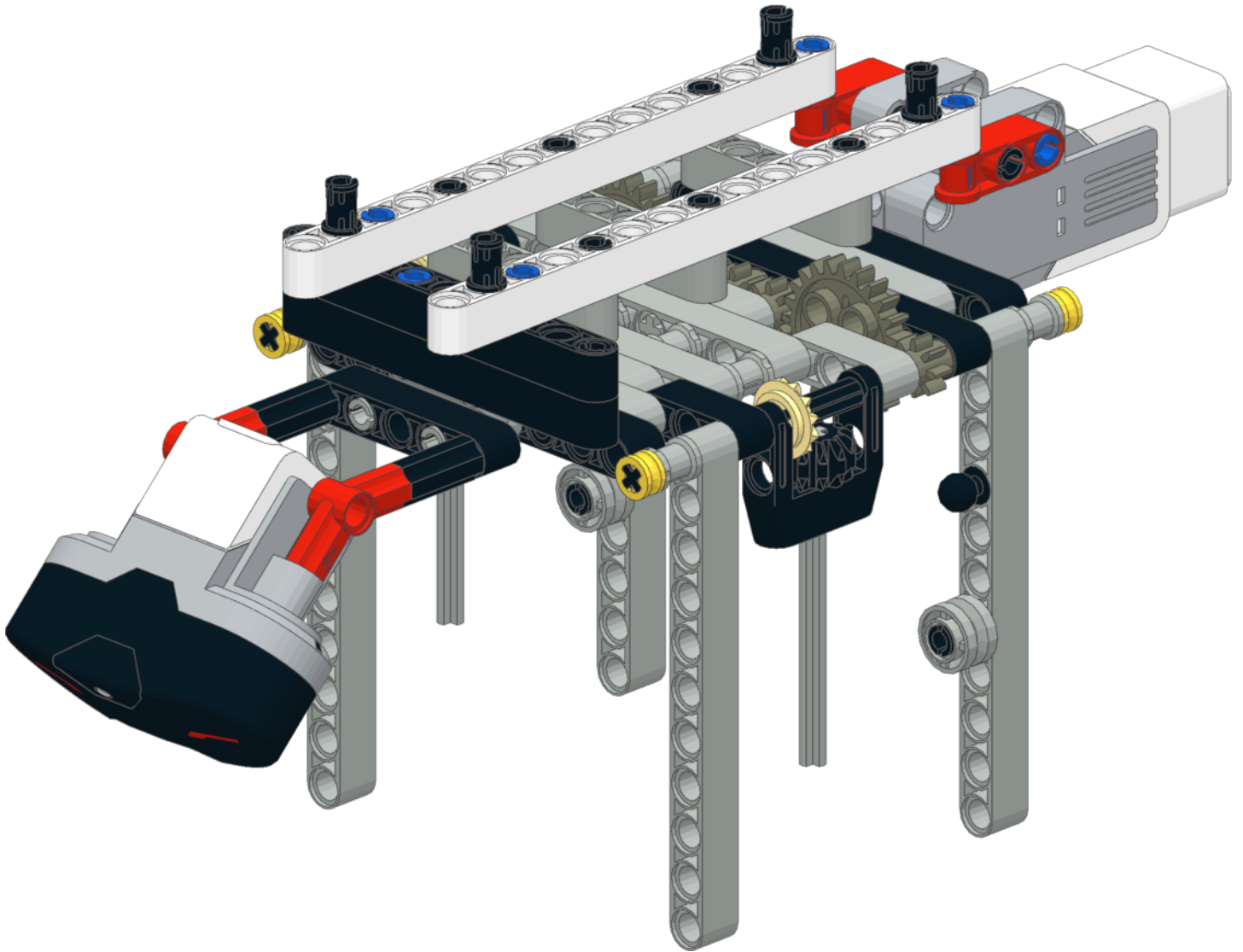
27



28



29

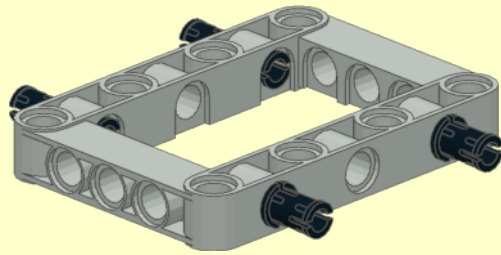
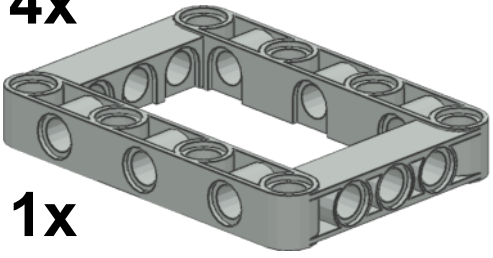


1

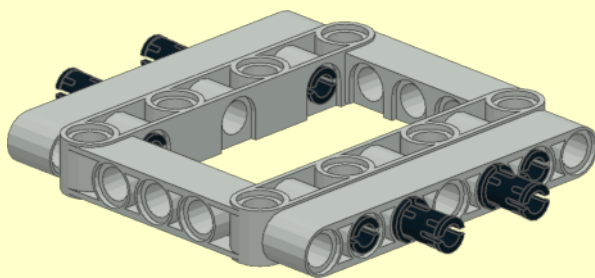
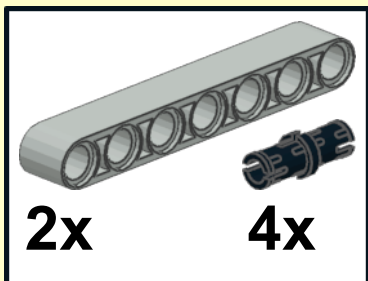


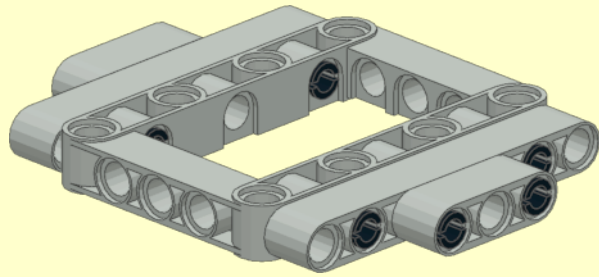
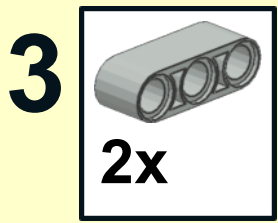
4x

1x

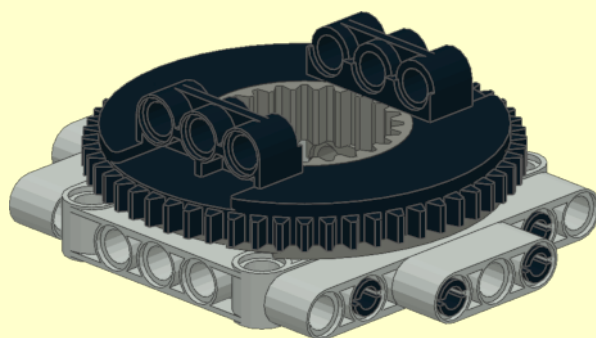
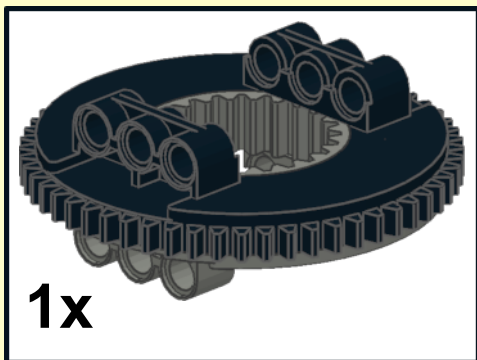


2






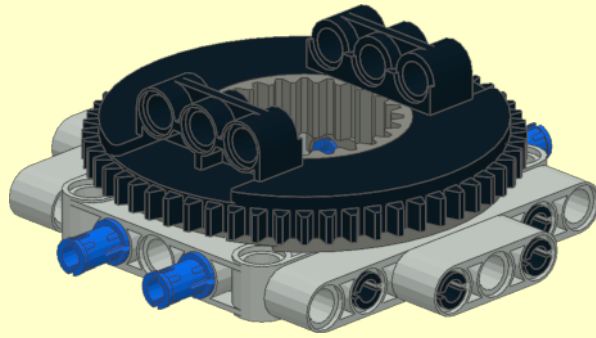
4



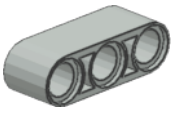
5



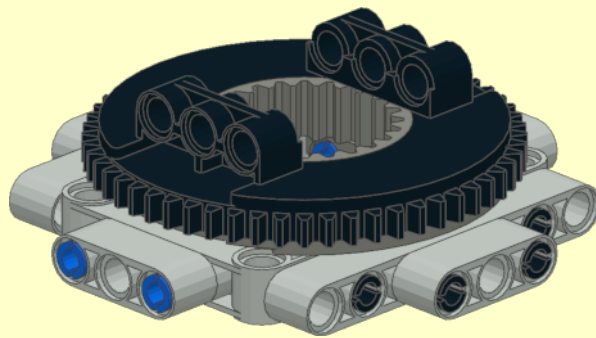
4x



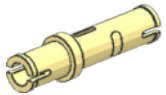
6



2x

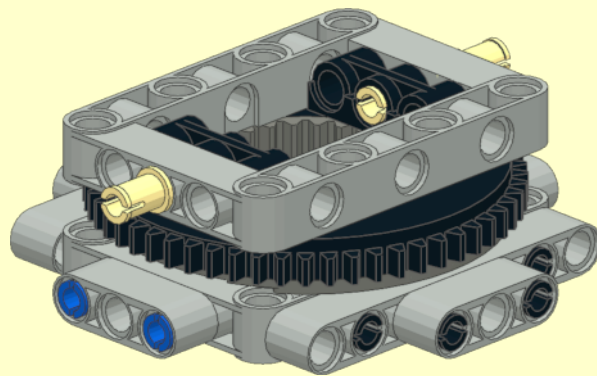
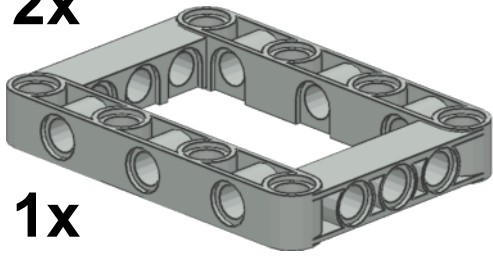


7

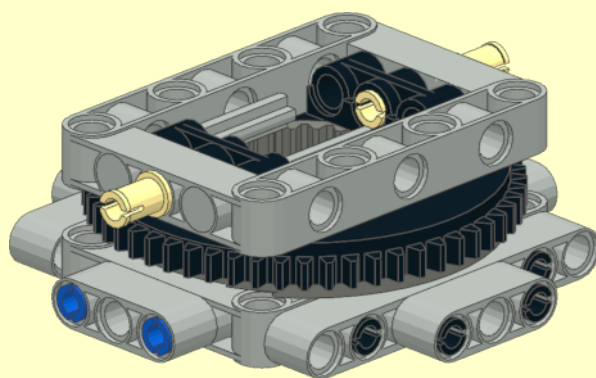
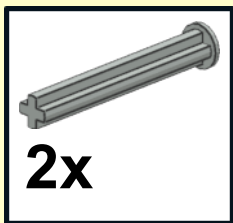


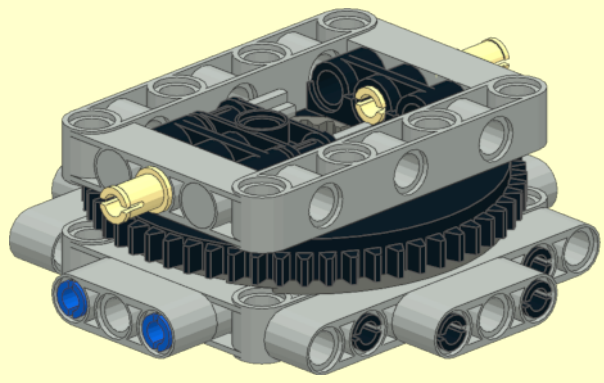
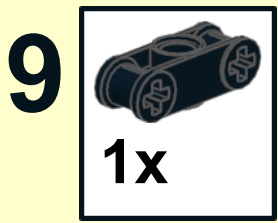
2x

1x

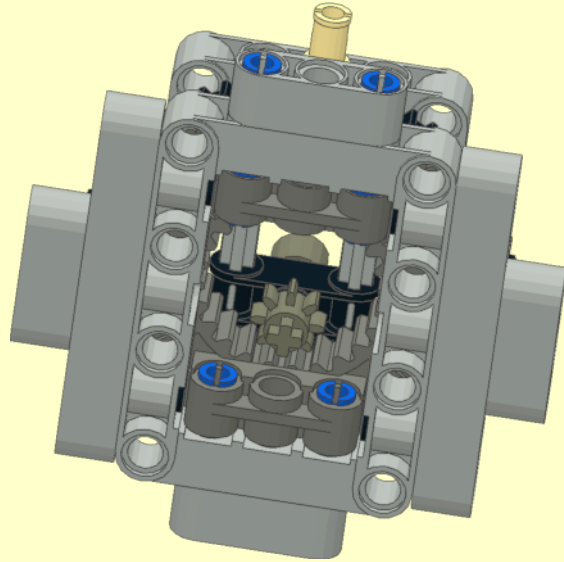
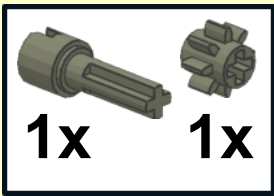


8

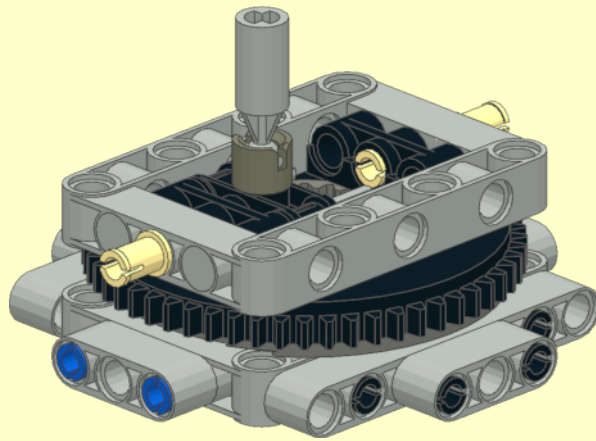




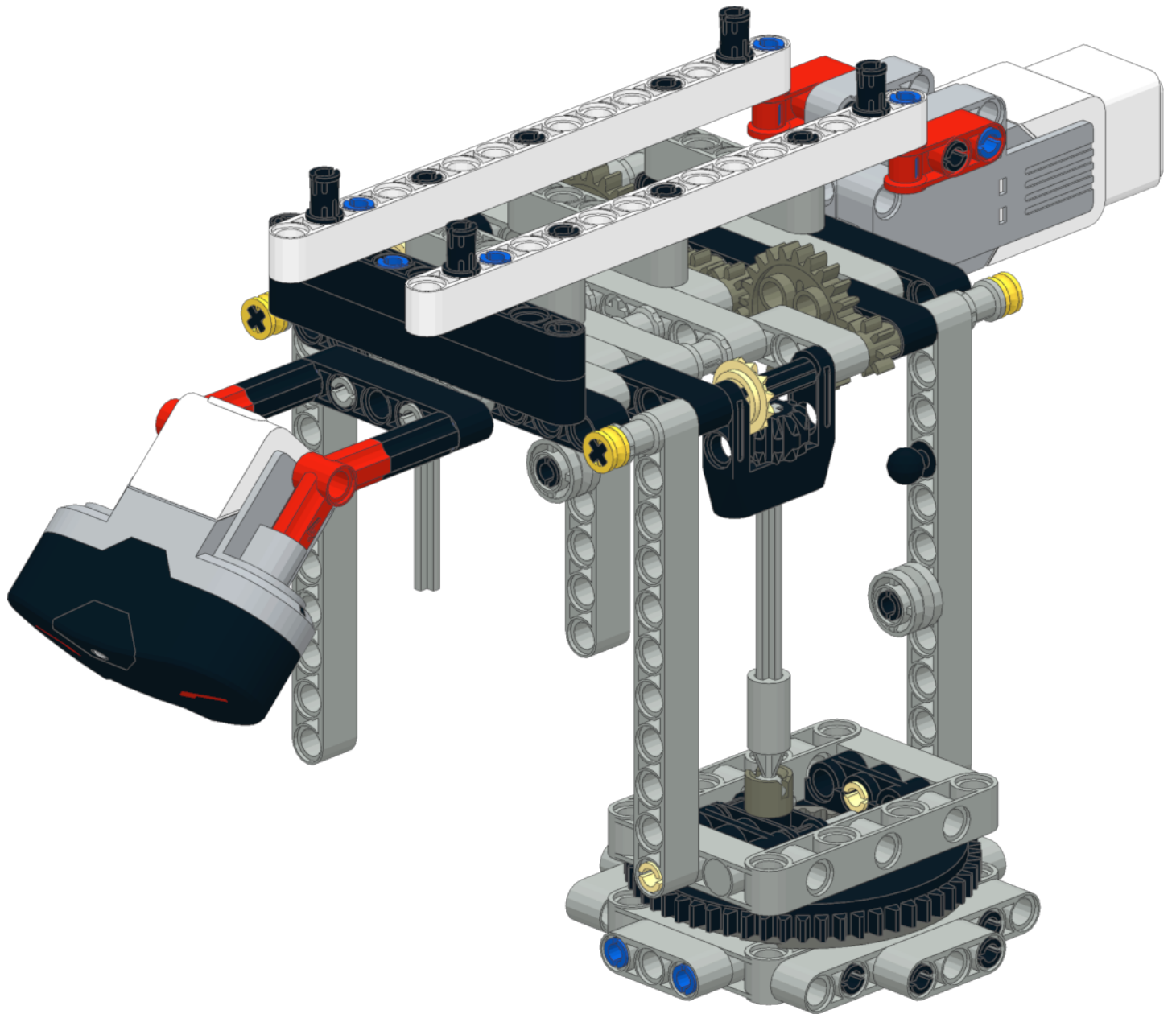
10

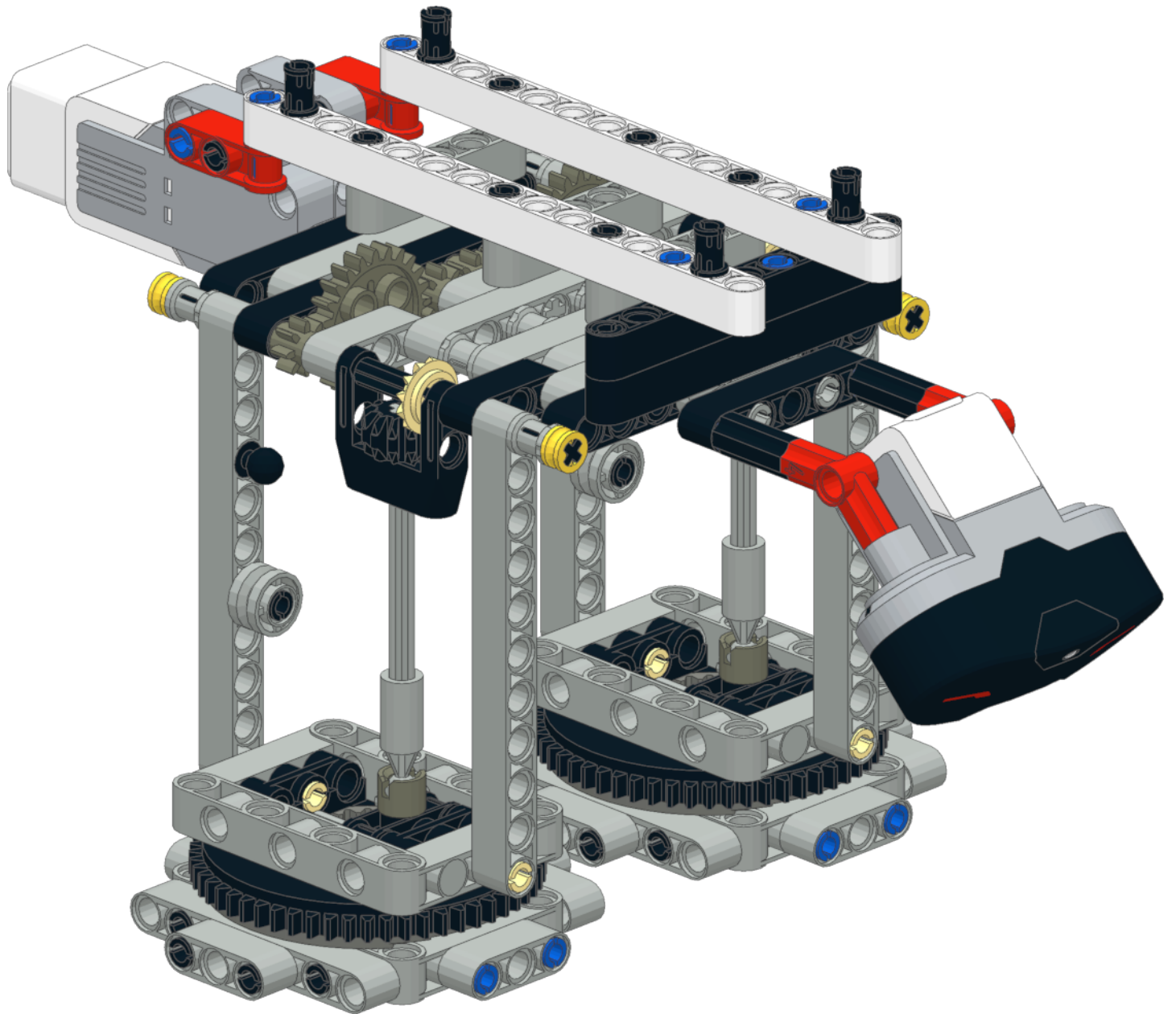


11

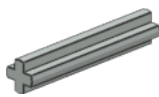


x2





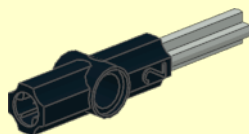
1

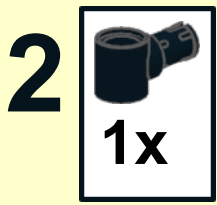


1x

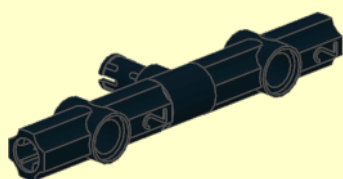


1x

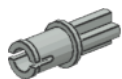




3



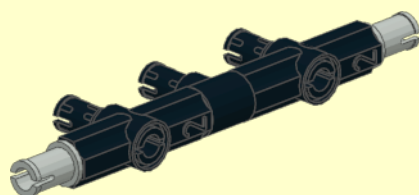
4



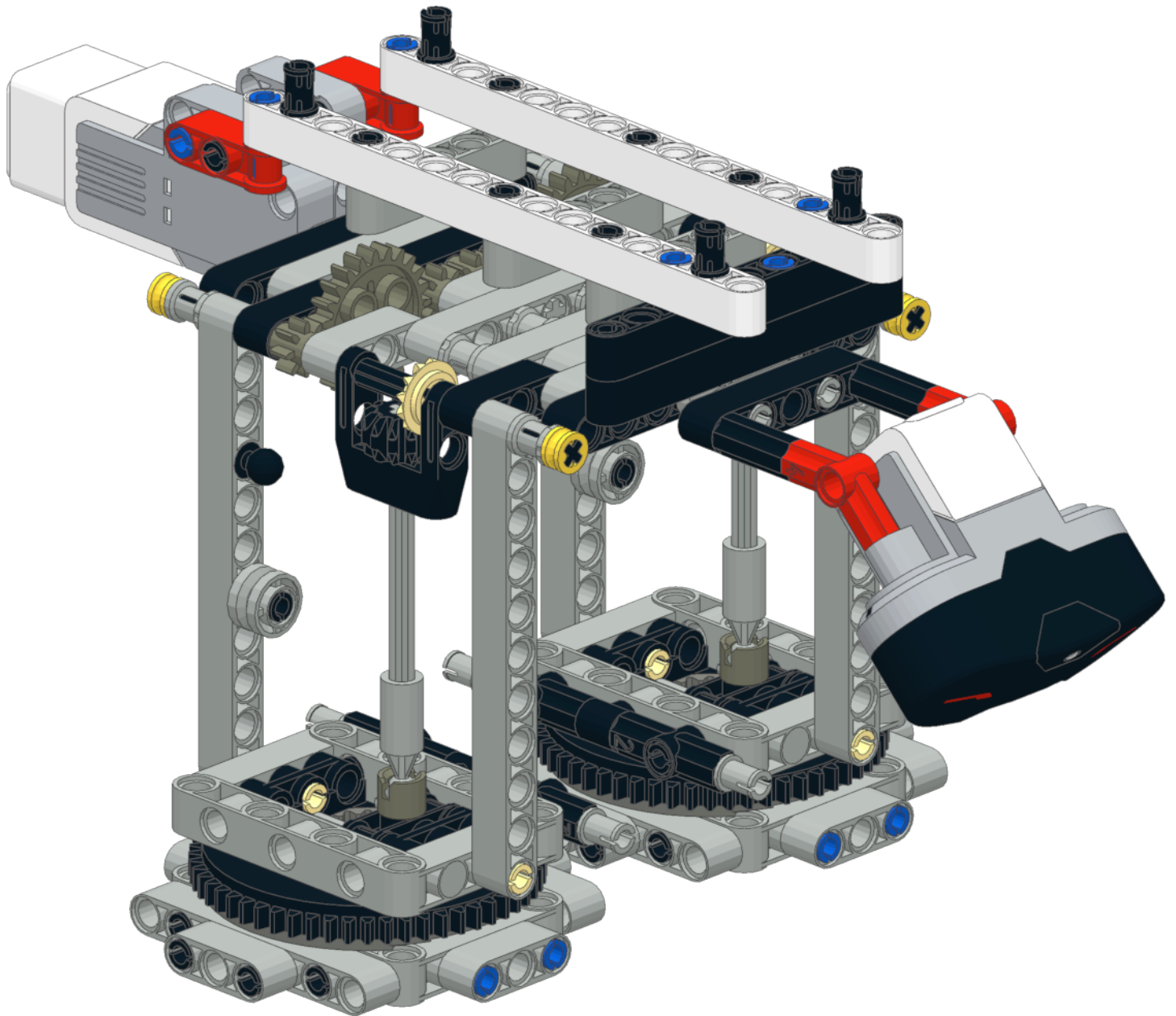
2x



2x



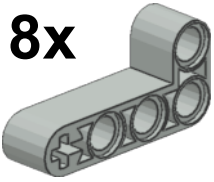
x2



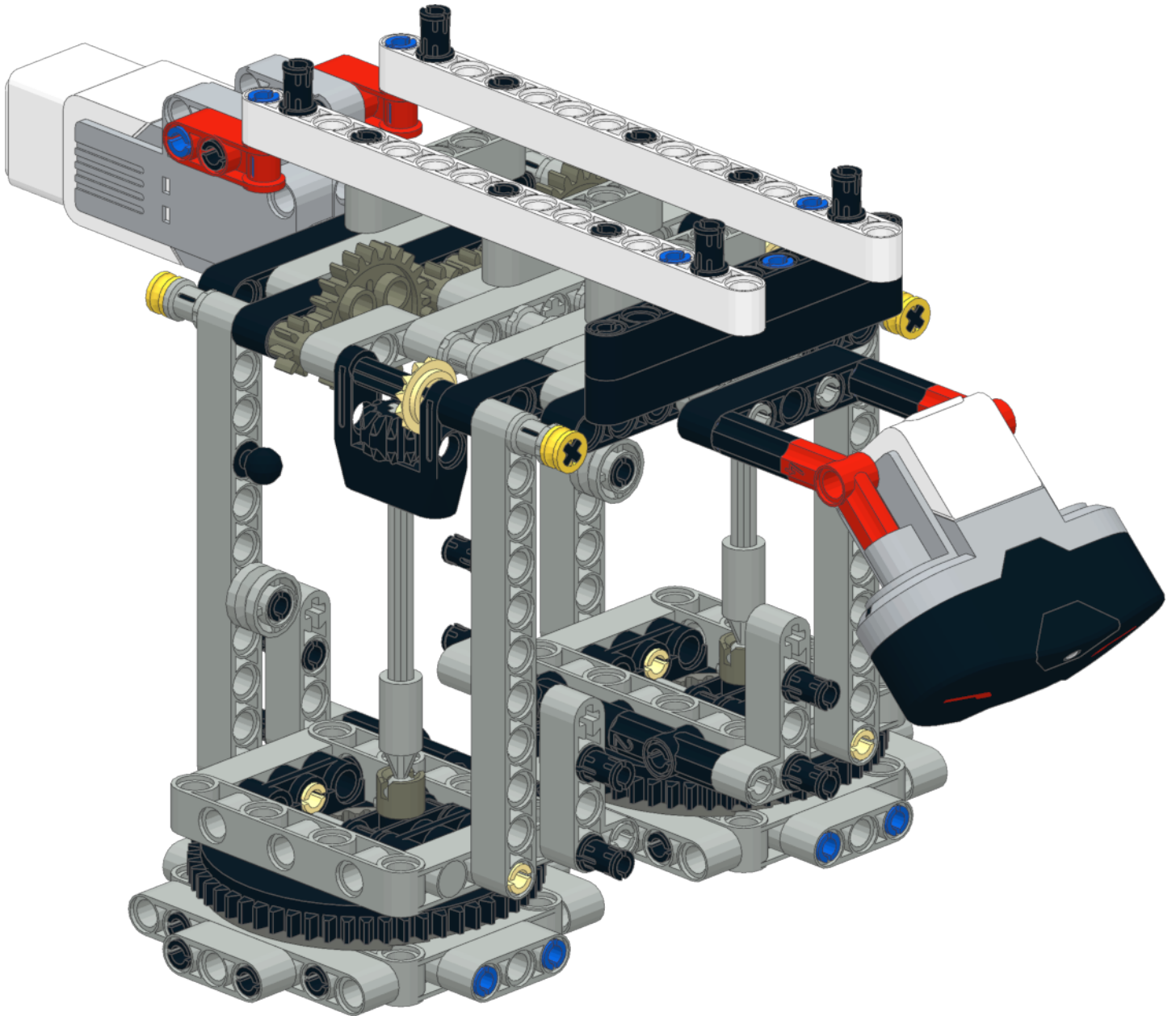
33



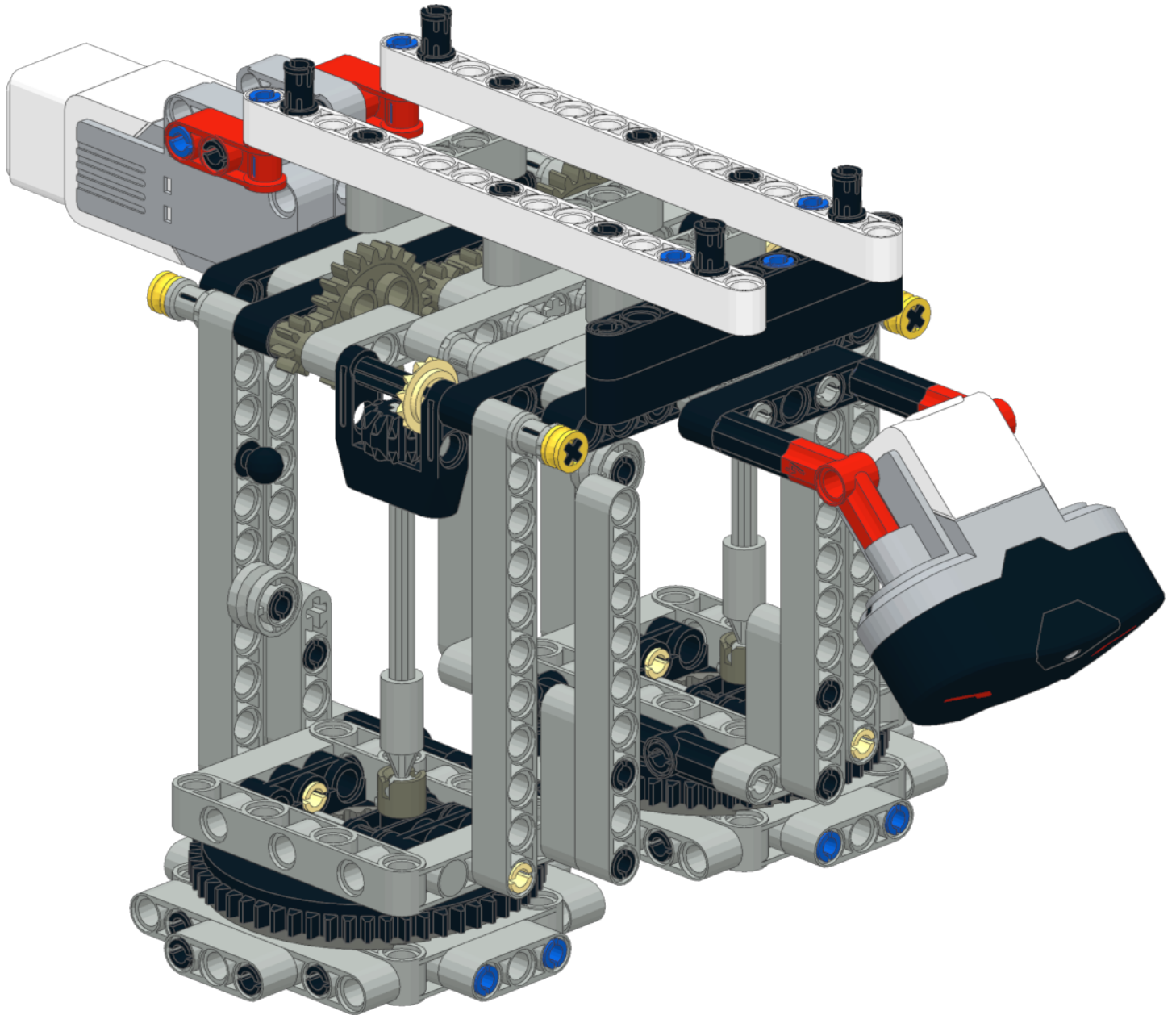
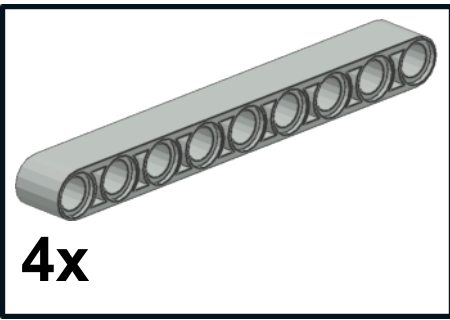
8x



4x



34



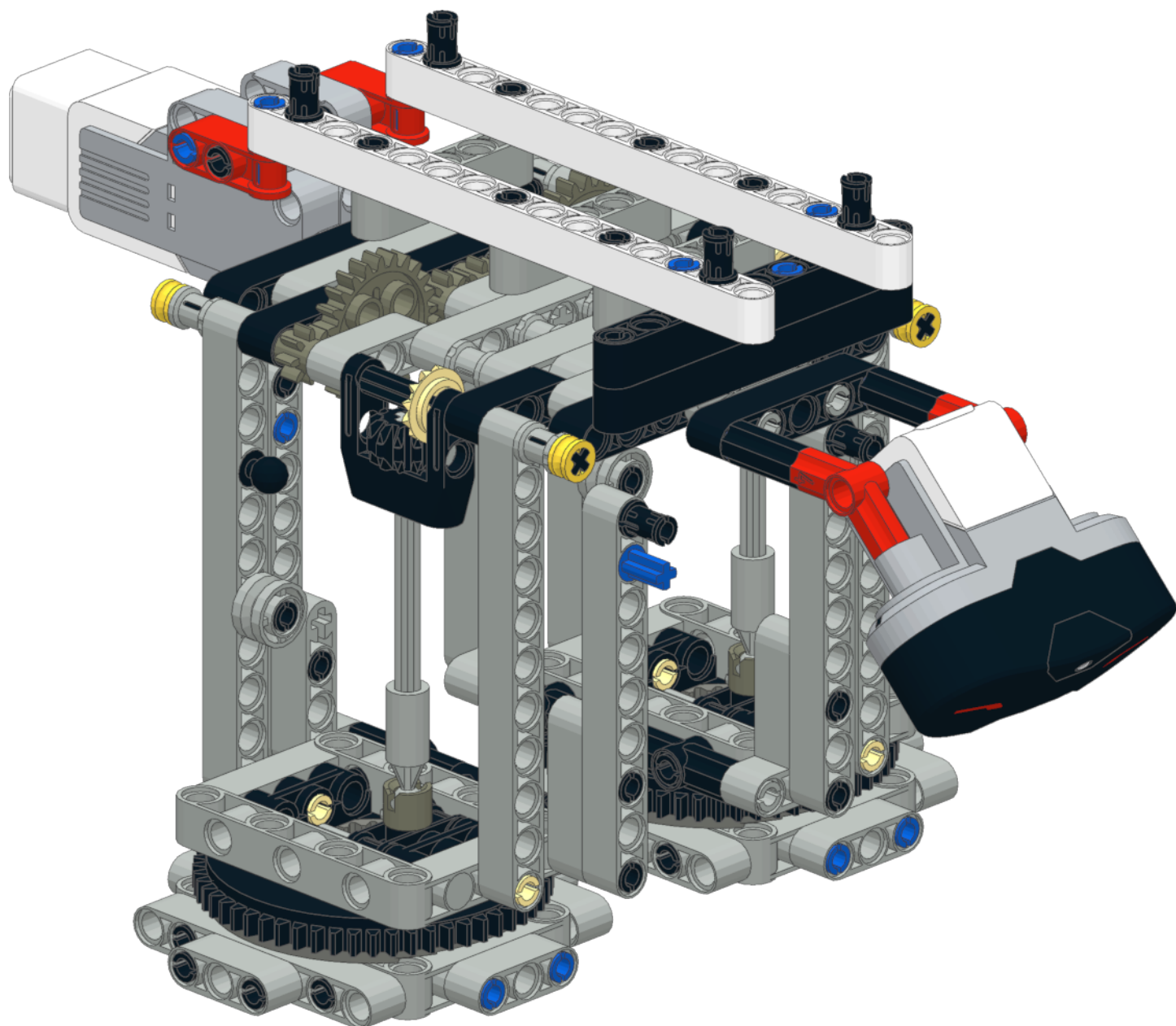
35



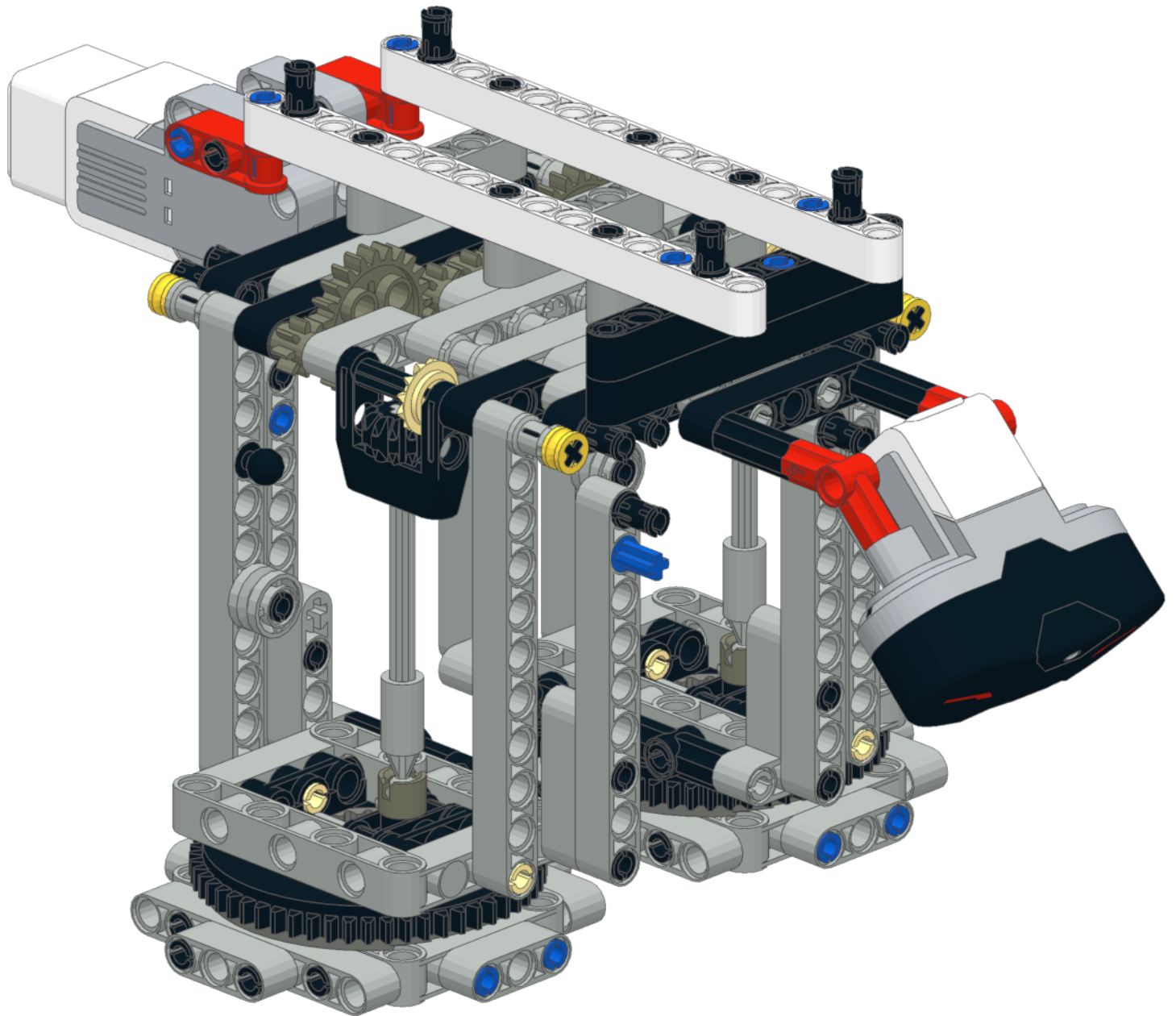
4x



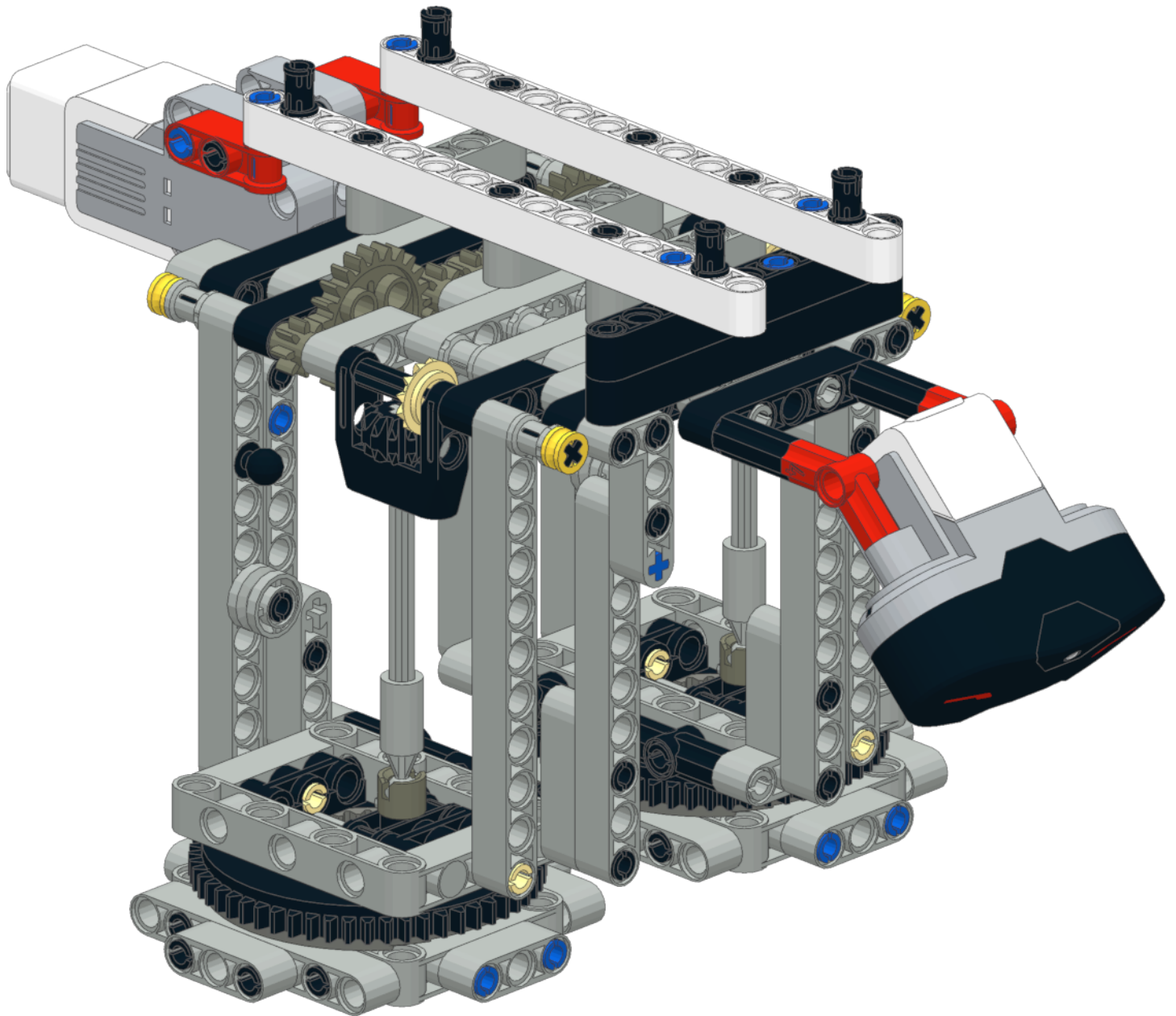
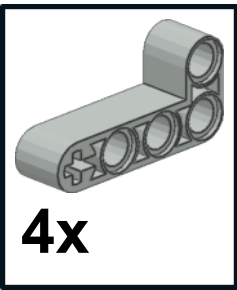
4x



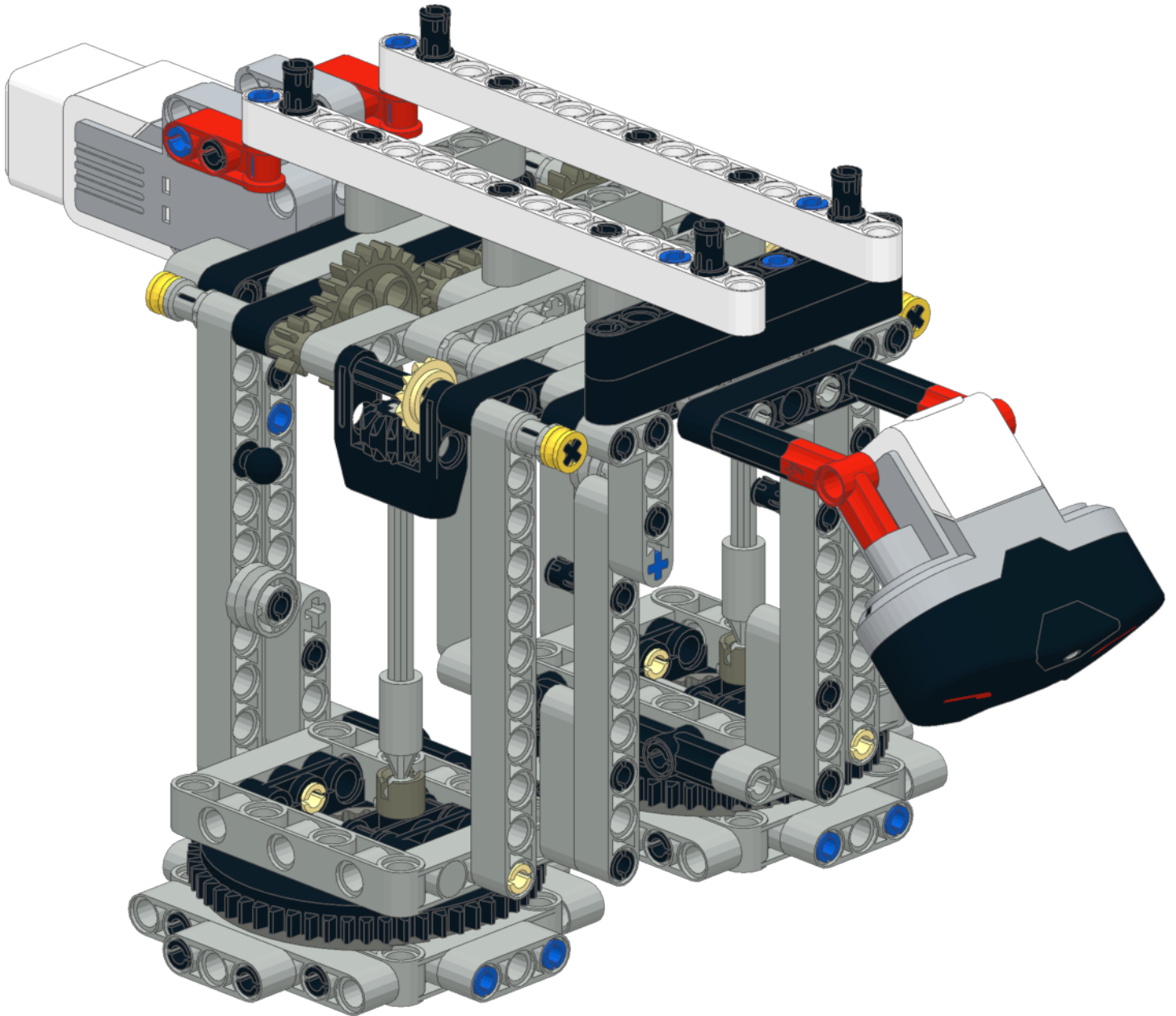
36



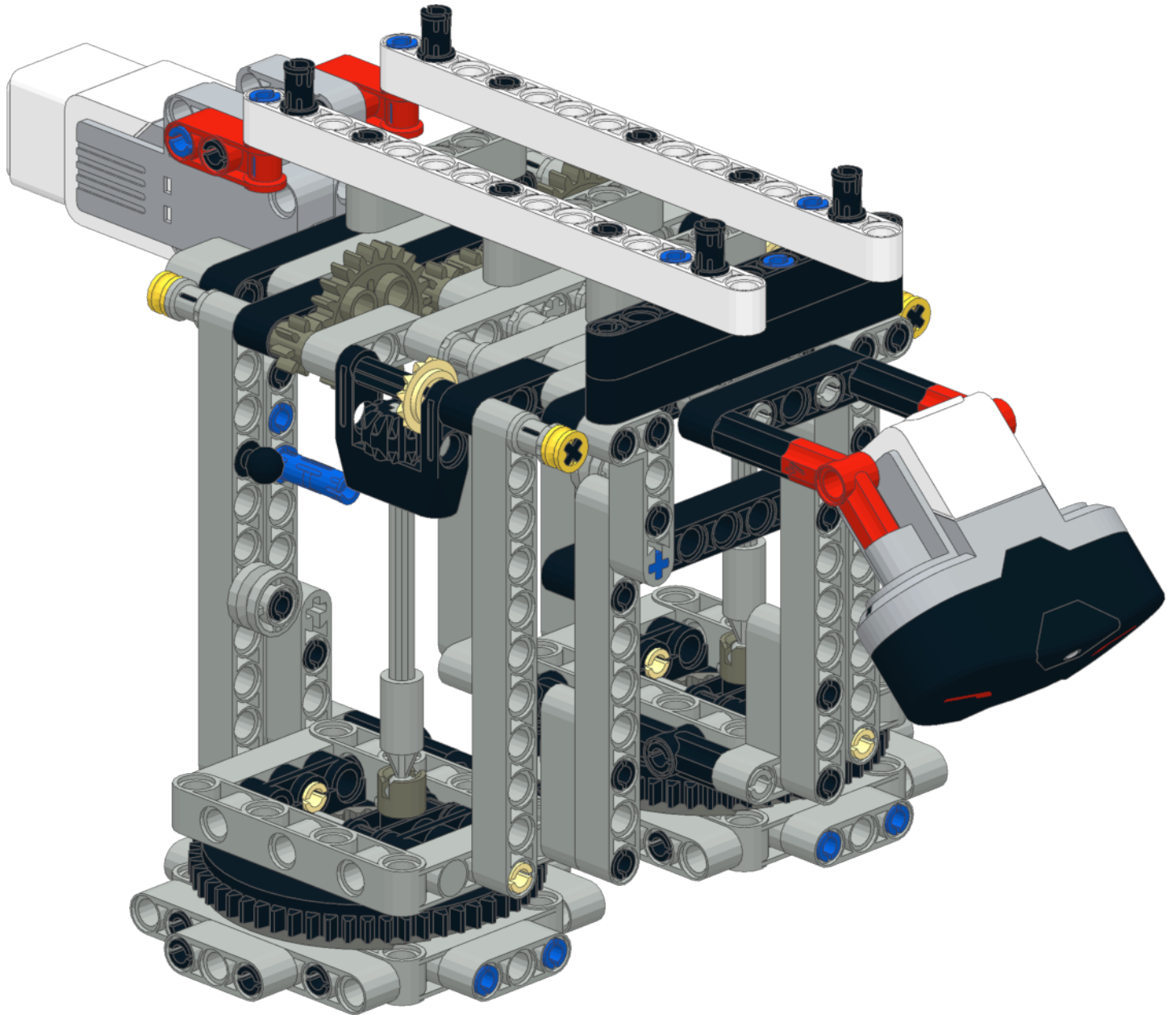
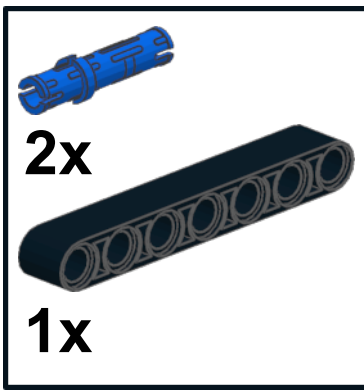
37



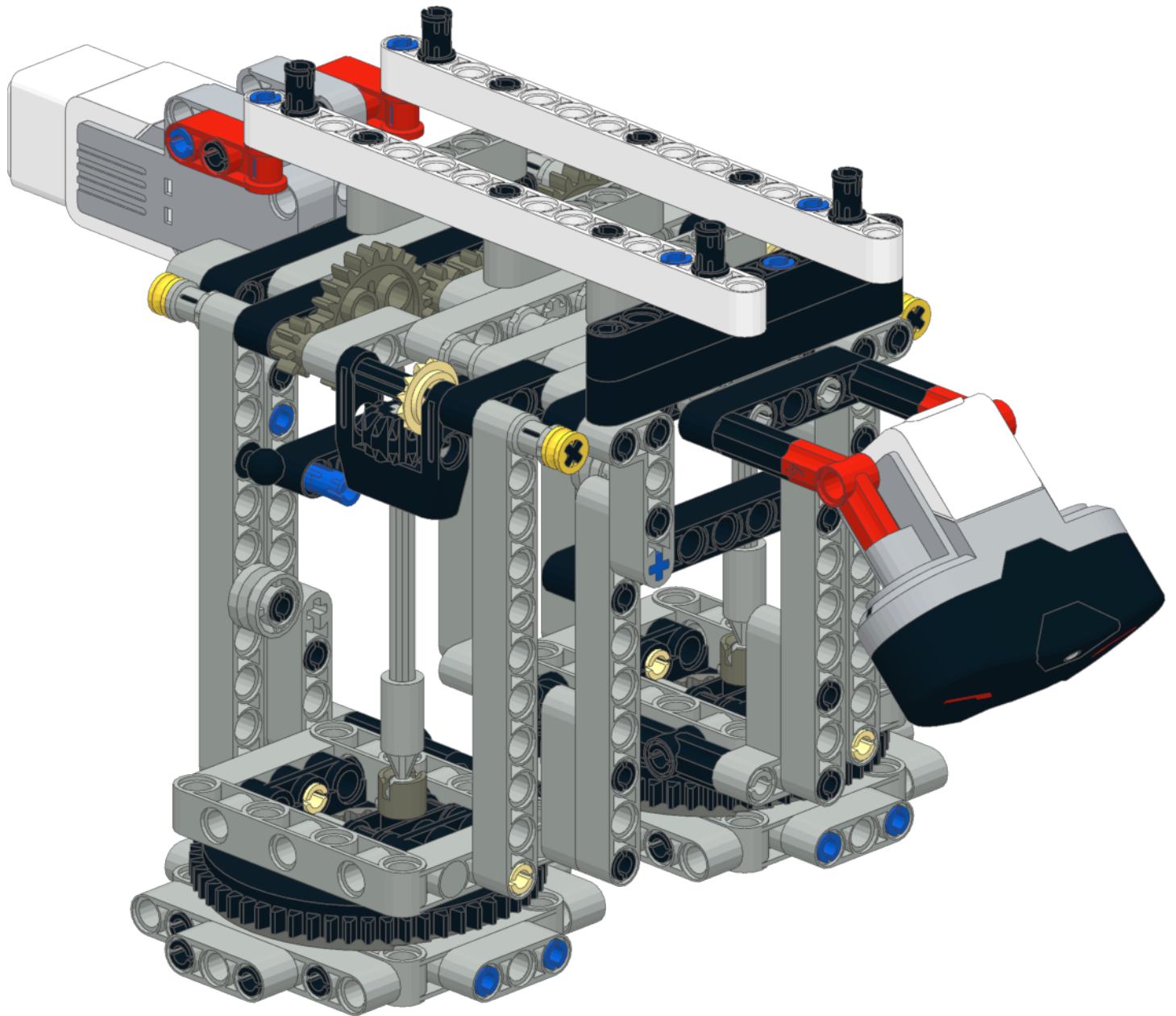
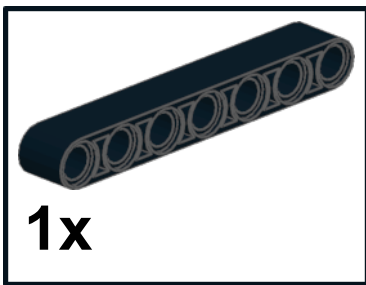
38



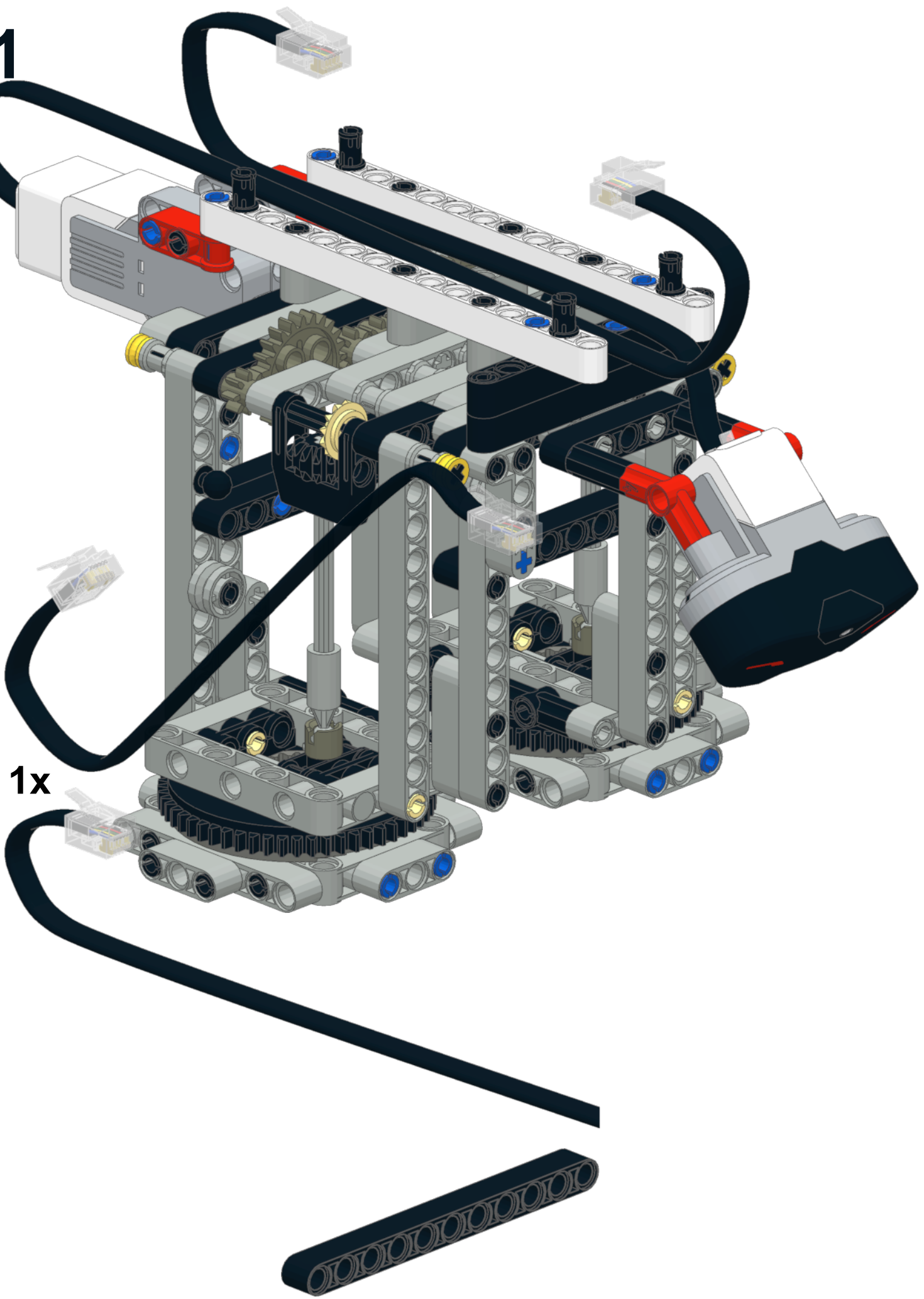
39



40



41



1x

1x

1x

42

